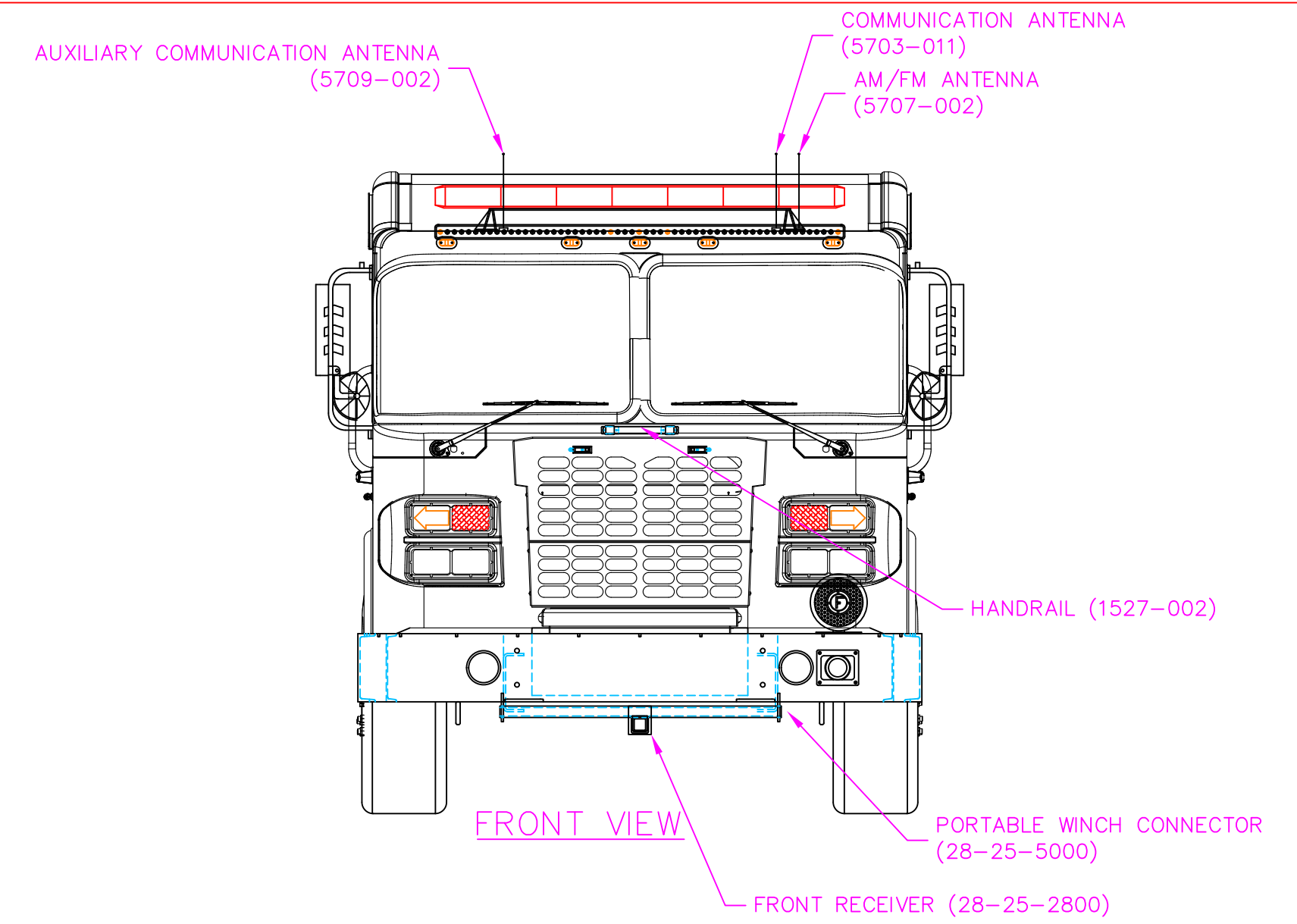
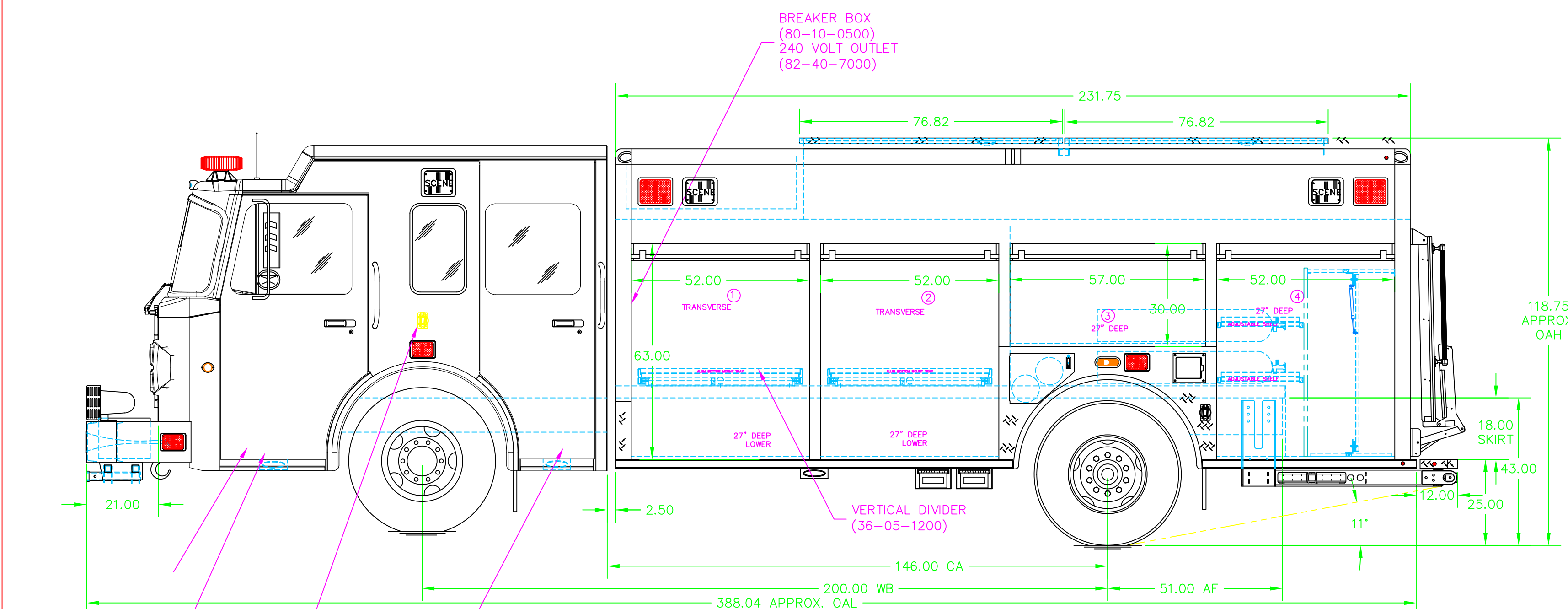


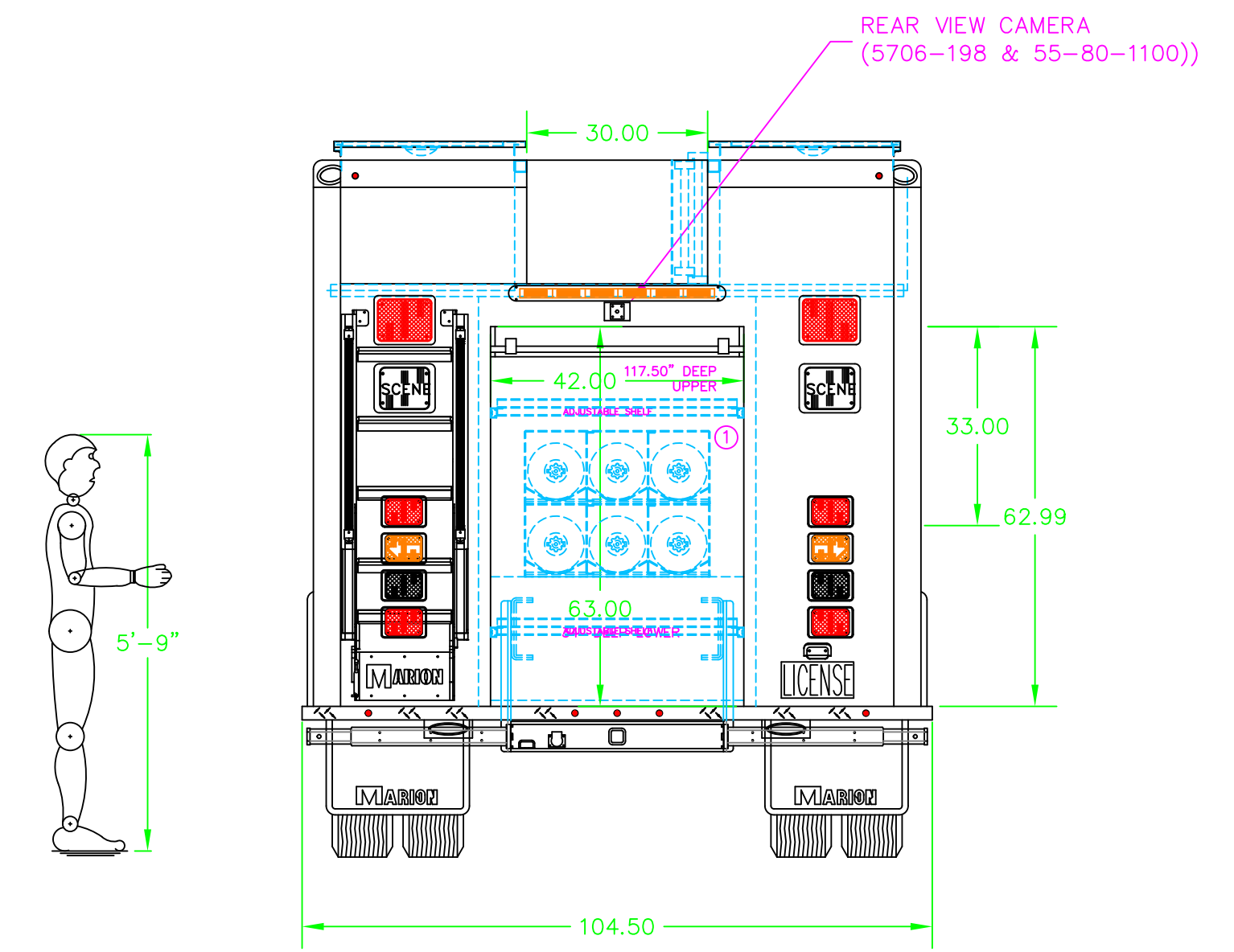
CURBSIDE VIEW



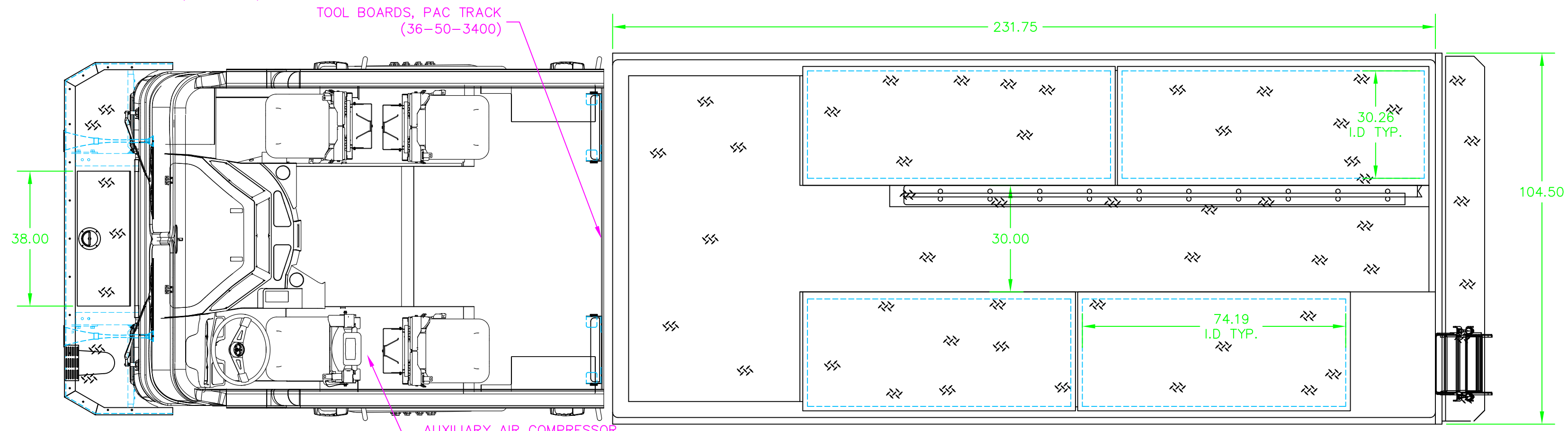
FRONT VIEW



DRIVERSIDE VIEW



REAR VIEW



TOP VIEW

NO MAXIMUM OVERALL LENGTH SPECIFIED (33-49-1000)  
NO MAXIMUM OVERALL HEIGHT SPECIFIED (33-49-2000)

85236 MBW JOB NUMBER

CHASSIS SPECS		<b>MARION</b>		MARION BODY WORKS, INC. P.O. BOX 500 MARION WISCONSIN 54950-0500 715/734-5241 FAX 715/734-5774	
CHASSIS	SPARTAN	TITLE		19" RESCUE VEHICLE	
MODEL	METRO STAR	FOR		LAWRENCEBURG, IN	
WB	CA	DRAWN BY	APPROV BY	DATE	SCALE
200"	146"	CZ		12/18/18	1/20
MARION RESERVES THE RIGHT TO MAKE MINOR DIMENSIONAL CHANGES, AND DESIGN AND COMPONENT CHANGES FOR PRODUCT IMPROVEMENT		DRG. NO.		98049540	
		SHEET		1 OF 1	