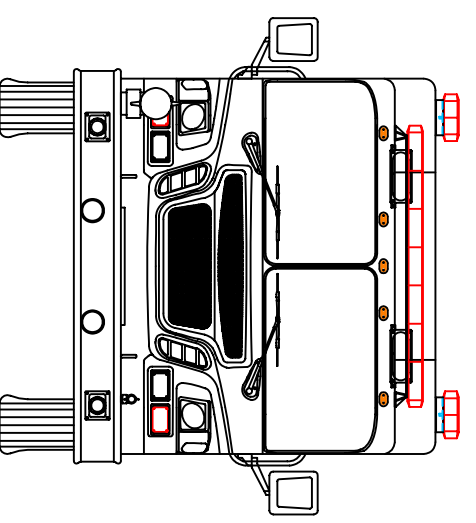
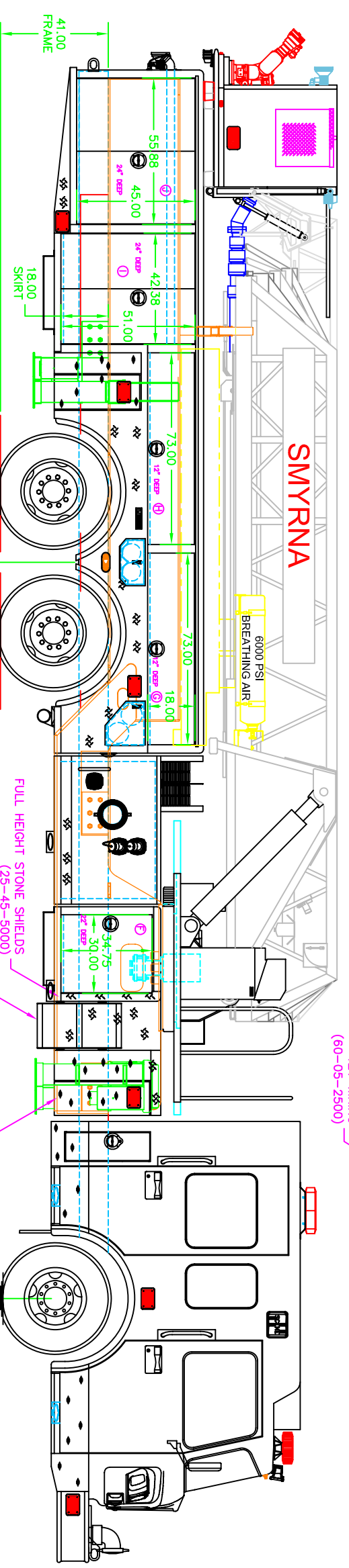


2000 GPM WATEROUS CSU PUMP  
 95 GPM ELKHART FOAM EDUCATOR  
 500 GALLON WATER TANK  
 20 GALLON INTEGRAL FOAM TANK  
 Z2989 MBW JOB NUMBER



C	1/25/2016	DES	REVISED FOR SUBMITTAL.
B	5/23/2016	DES	REVISED DRAW TO SUBMITTAL.
A	3/23/2016	DES	ISSUED FOR CONTRACT.
1	3/23/2016	DES	ISSUED FOR CONTRACT.

MAJON RESERVES THE RIGHT TO MAKE MINOR DIMENSIONAL CHANGES, AND DESIGN AND COMPONENT CHANGES FOR PRODUCT IMPROVEMENT.

CHASSIS SPECS  
**MAJON**  
 MAJON SCIENTIFIC, INC.  
 717/294-2881 FAX 717/294-5778  
 SPARTAN, OR  
 811th GRS 1<sup>st</sup> FLOOR  
 SMYRNA, TN  
 LFD 10TRB DATE 10/24/07 SCALE 1/24  
 DRG. NO. 98031270 SHEET 1 OF 2