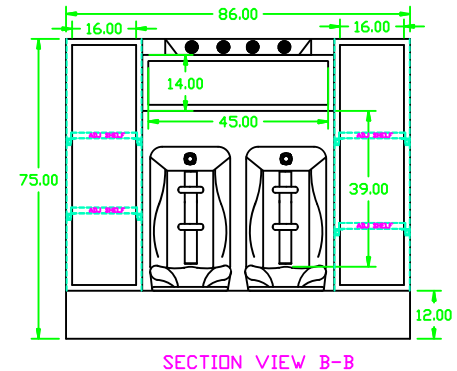
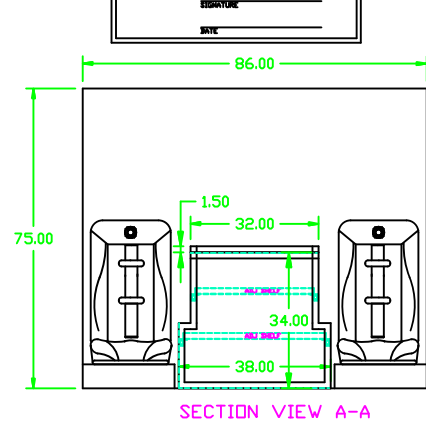
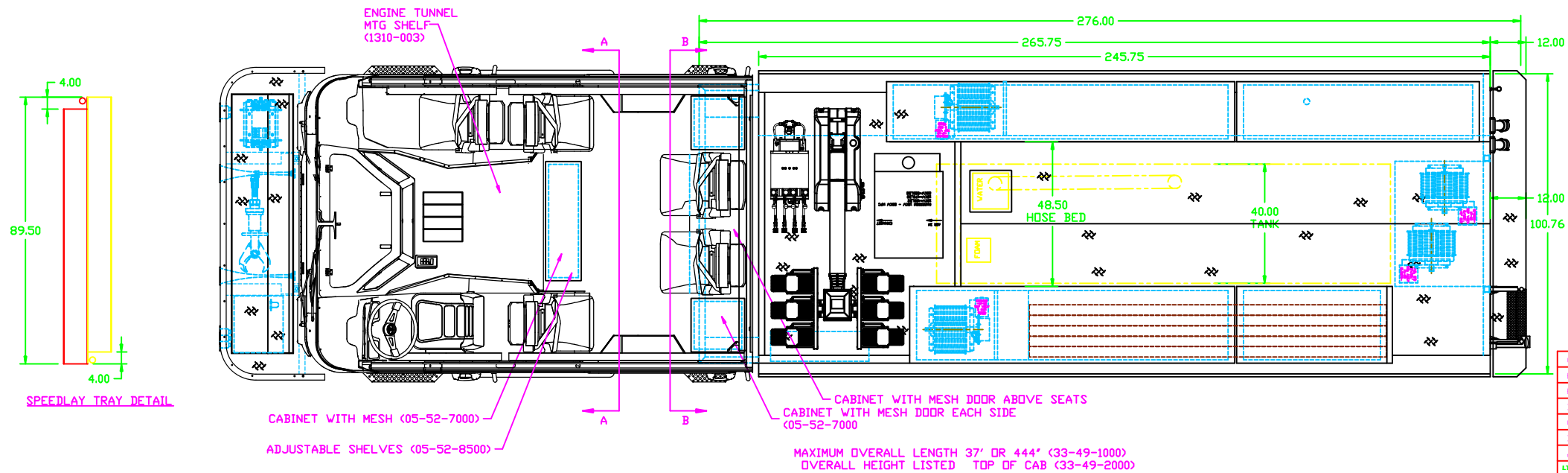


PRINT APPROVAL
 I HAVE EXAMINED THIS DOCUMENT AND APPROVE IT WITH NOTED REVISIONS, IF ANY, IN RED.



G	1/29/16	THF	UPDATED REFRIGERATOR INFORMATION
F	1/15/16	JK	REVISED REAR CUSTOMER CHANGES
E	12/04/15	JK	REVISED REAR COMPARTMENTS R4 TO C4
D	9/04/15	JK	REVISED FOR SUBMITTAL MARK-UP
C	8/10/15	JK	REVISED FOR SUBMITTAL
B	4/01/15	JK	REVISED PER DEALER CHANGES
A	5/14/14	JK	REVISED PER CHASSIS & BODY SPEC
LTR	DATE	BY	DESCRIPTION
206	152		MARION RESERVES THE RIGHT TO MAKE MINOR DIMENSIONAL CHANGES AND DESIGN AND COMPONENT CHANGES FOR PRODUCT IMPROVEMENT

CHASSIS SPECS
 SPARTAN FOR BOGHT, NY
 1500 GPM HALE QMAX XS PUMP
 750 GAL. POLYPROPYLENE TANK
 20 GAL INTEGRAL FOAM TANK
 2 1/2 HALE FOAMLOGIX SYSTEM
 74232 JOB NUMBER

MARION
 MARION BODY WORKS, INC.
 P.O. BOX 500
 MARION WISCONSIN 54950-0500
 715/754-5261 FAX 715/754-5776

DATE 2/9/14 SCALE 1/20
 DRG. NO. 98043000 SHEET 1 OF 1