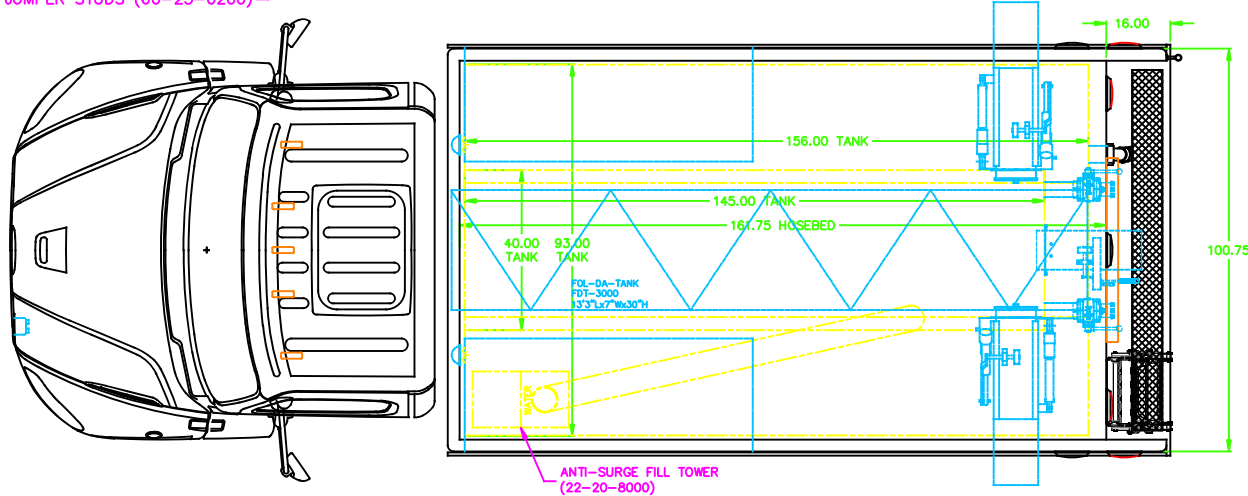


- BATTERY CONDITIONER (60-20-0500)
- CHASSIS AIR INLET (05-30-1500)
- SHORELINE INLET (60-25-1000)
- JUMPER STUDS (60-25-0200)



NO MAXIMUM OVERALL LENGTH SPECIFIED (33-48-1000)
 NO MAXIMUM OVERALL HEIGHT SPECIFIED (33-48-2000)

250 GPM PUMP
 2200 GALLON POLY WATER TANK
 77645 MBW JOB NUMBER

CHASSIS SPECS		MARION		MARION BODY WORKS, INC. P.O. BOX 500 MARION WISCONSIN 54950-0500 715/754-5261 FAX 715/754-5776	
CHASSIS	FREIGHTLINER	TITLE	PUMPER/TANKER, PORTABLE, 120/2200	FOR	LUXEMBURG, WI
MODEL	M2 SBA 4x2	DRAWN BY	DDD	APPROVED BY	
DATE	9/1/16	SCALE	1/20	DRG. NO.	98044810
				SHEET 1 OF 1	

MARION RESERVES THE RIGHT TO MAKE MINOR DIMENSIONAL CHANGES AND DESIGN AND COMPONENT CHANGES FOR PRODUCT IMPROVEMENT