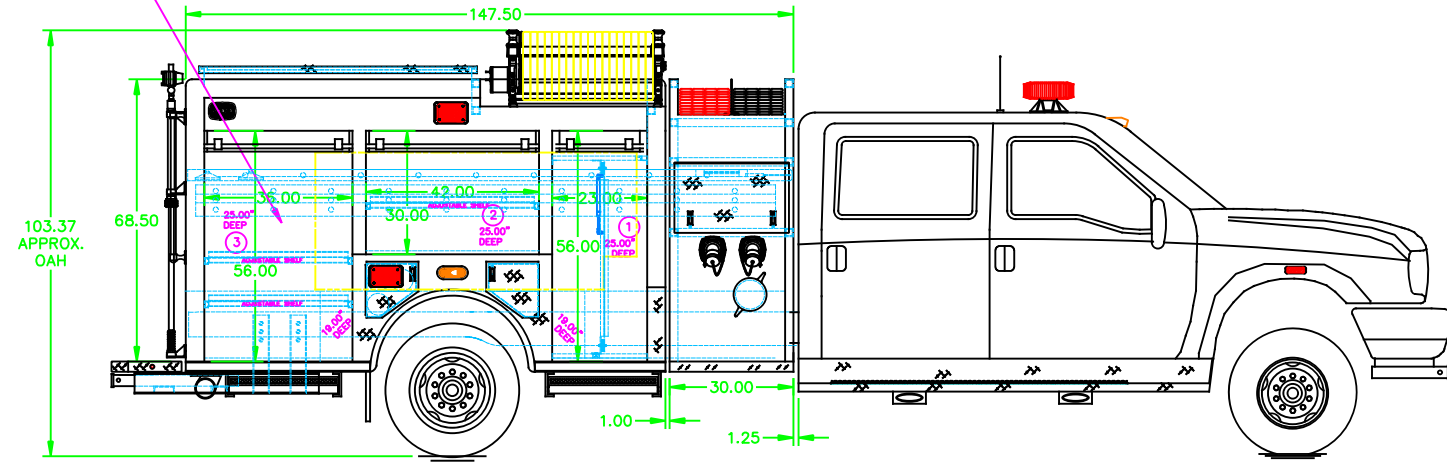
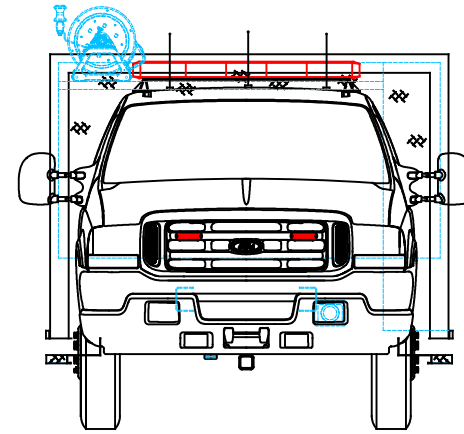


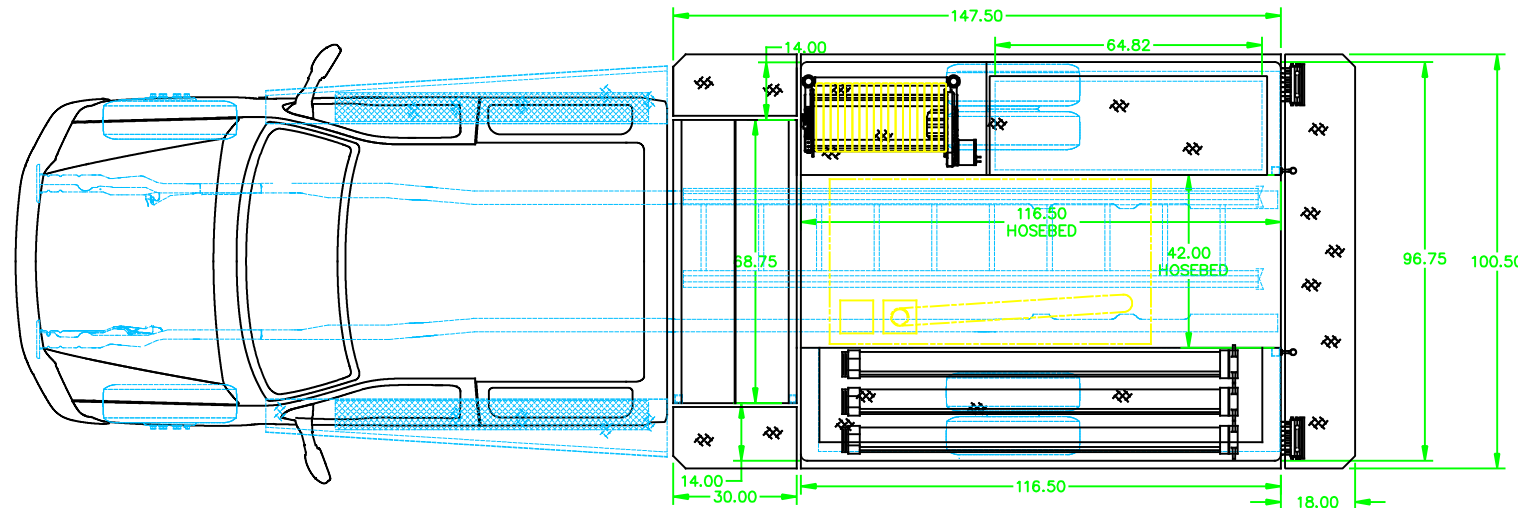
ALUMINUM LINING  
(36-55-5600)



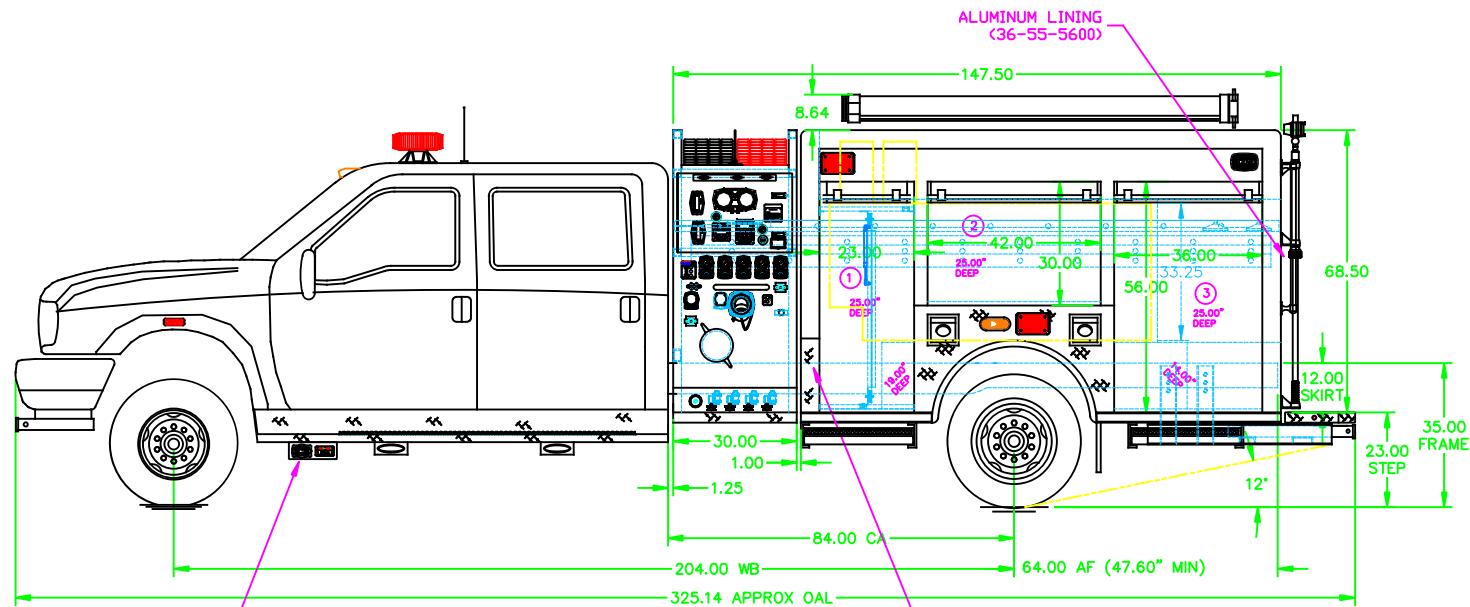
CURBSIDE VIEW



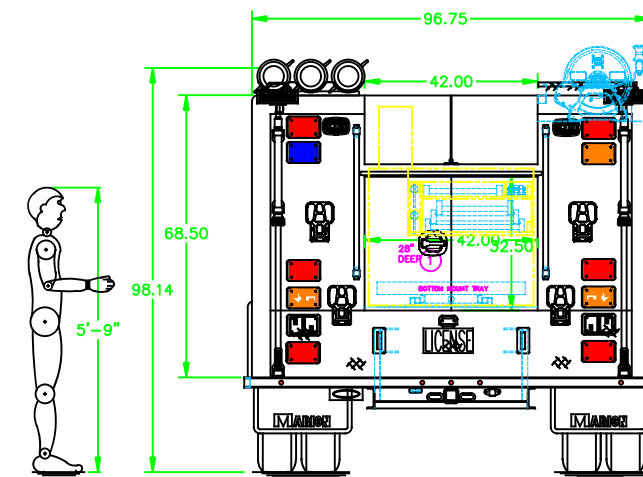
FRONT VIEW



TOP VIEW



DRIVERSIDE VIEW



1000 GPM HALE MG PUMP  
1600 FOAMPRO FOAM SYSTEM  
200 GALLON WATER TANK  
20 GALLON FOAM TANK

NO MAXIMUM OVERALL LENGTH SPECIFIED (33-49-1000)  
NO MAXIMUM OVERALL HEIGHT SPECIFIED (33-49-2000)

CHASSIS SPECS		<b>MARION</b>		MARION BODY WORKS, INC. P.O. BOX 500 MARION WISCONSIN 54950-0500 715/754-5241 FAX 715/754-5274	
CHASSIS	FORD	TITLE	MINI PUMPER 1000/200/20	FOR RAYMERTOWN NY.	
MODEL	F550 CREW CAB 4x4	DESIGN BY	JK	APPROVED BY	DATE 6/23/16
WB	204"	CA	84"	DRG. NO.	20160035
				SCALE	1/20
				SHEET 1 OF 1	

LTR DATE BY DESCRIPTION  
MARION RESERVES THE RIGHT TO MAKE MINOR DIMENSIONAL CHANGES, AND DESIGN AND COMPONENT CHANGES FOR PRODUCT IMPROVEMENT