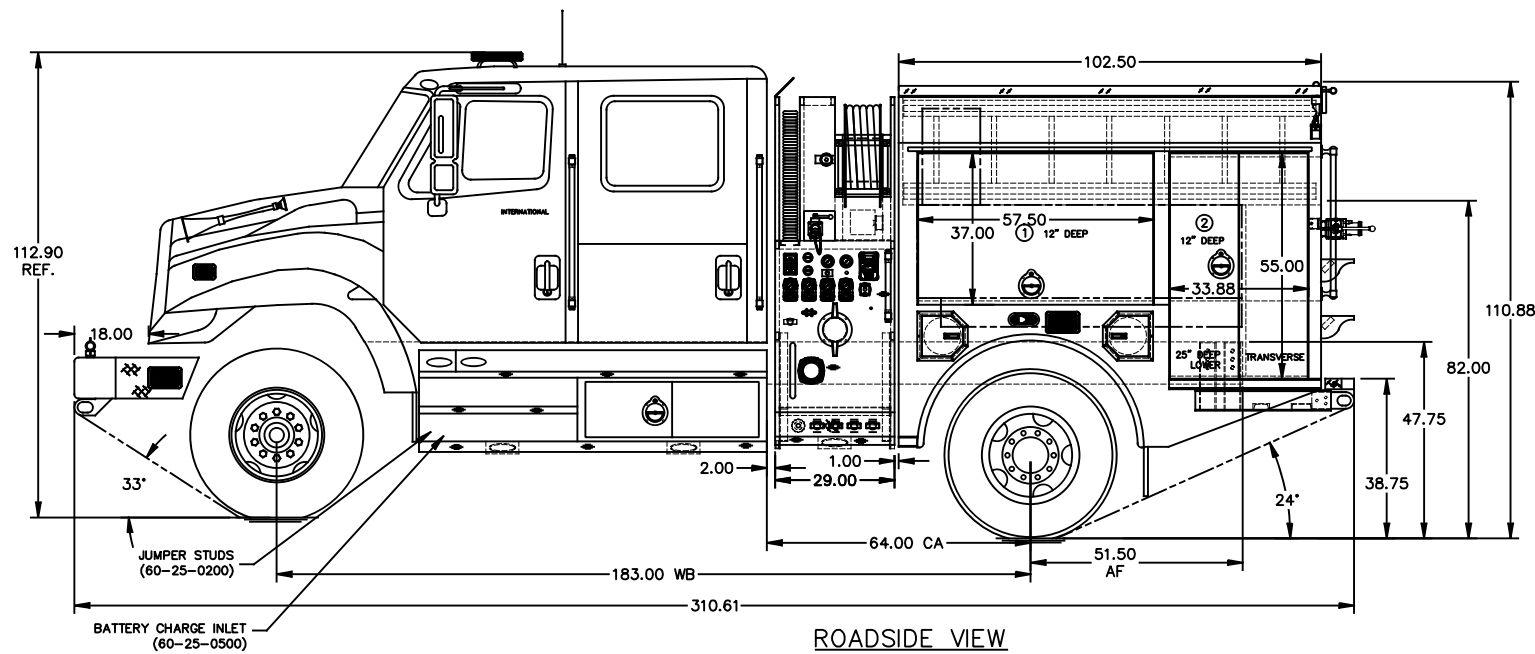
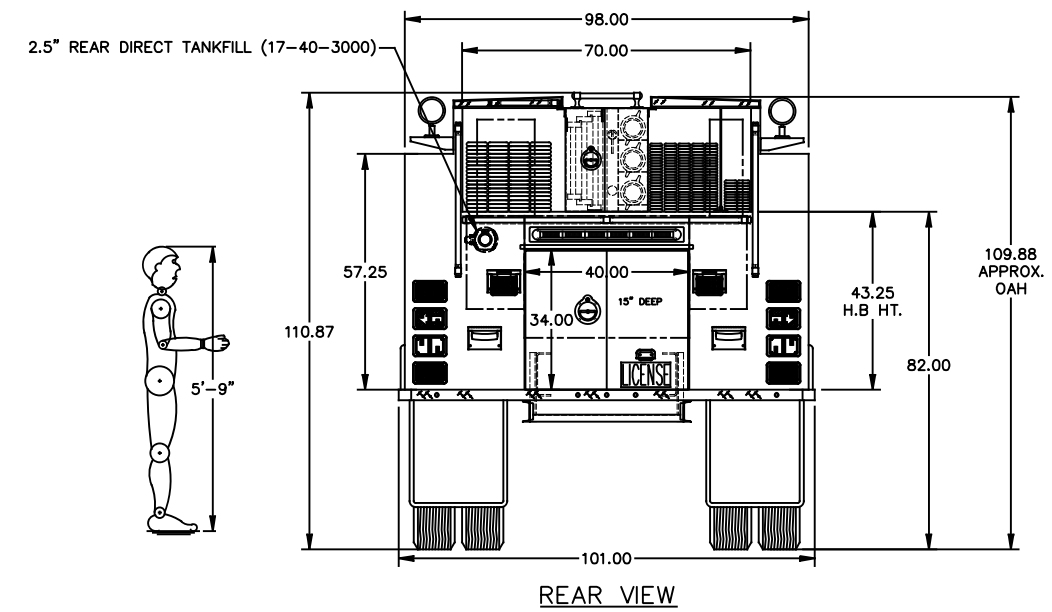


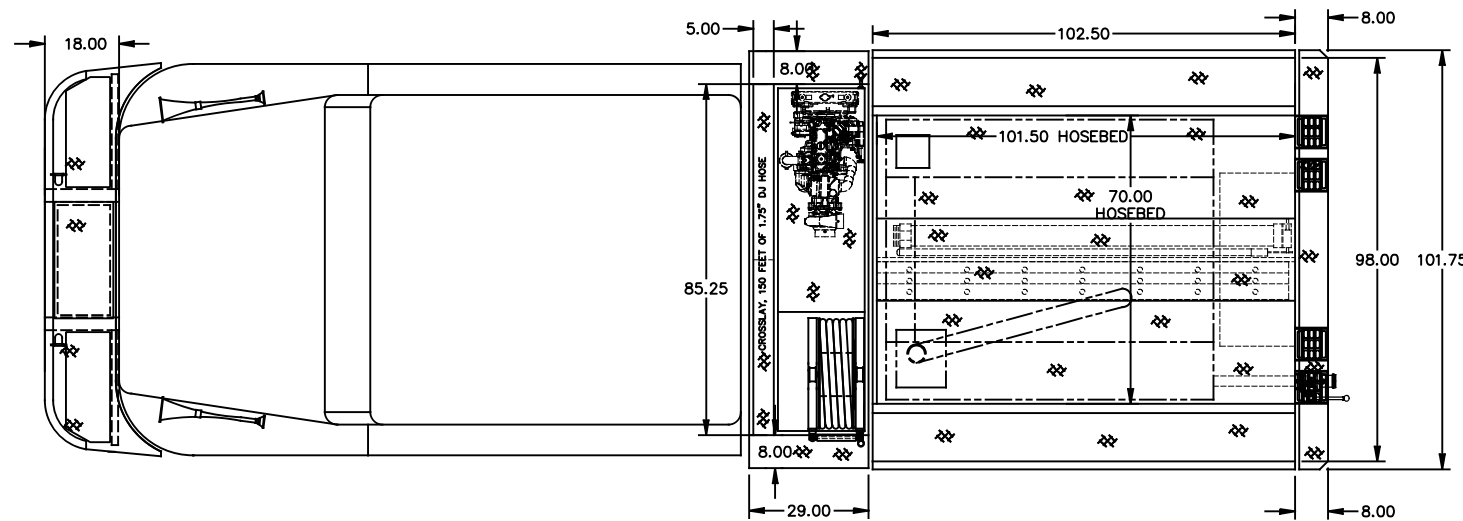
FRONT VIEW



ROADSIDE VIEW



REAR VIEW



TOP VIEW

MAXIMUM OVERALL LENGTH SPECIFIED (33-49-1000) 25' 11.50" OR 311.50"
 MAXIMUM OVERALL HEIGHT SPECIFIED (33-49-2000) 9'5" OR 113"

500 GPM PTO WATEROUS PUMP
 500 GALLON WATER TANK
 20 GALLON FOAM TANK
 1600 FOAMPRO FOAM SYSTEM
 80597 MBW JOB NUMBER

| | | | |
|-----------------------|--------|---|--------------|
| CHASSIS SPECS | | MARION BODY WORKS, INC. P.O. BOX 500 MARION WISCONSIN 54950-0500 715/754-5241 FAX 715/754-5274 | |
| CHASSIS INTERNATIONAL | TITLE | PUMPER, MID, WATR, 500/500/20 | |
| MODEL 7400 SFA 4x4 | FOR | CAL FIRE, CA | |
| DATE 7/25/17 | BY JK | APPROVED | SCALE 1/20 |
| WB 181" | CA 62" | DRG. NO. 98046720 | SHEET 1 OF 1 |

LTR DATE BY DESCRIPTION
 MARION RESERVES THE RIGHT TO MAKE MINOR DIMENSIONAL CHANGES, AND DESIGN AND COMPONENT CHANGES FOR PRODUCT IMPROVEMENT