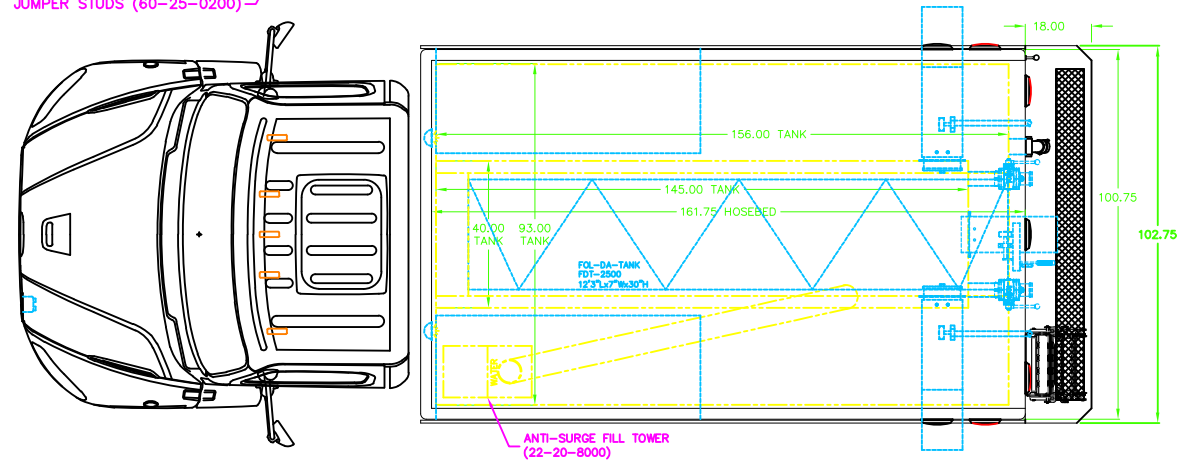


- BATTERY CONDITIONER (60-20-0500)
- CHASSIS AIR INLET (05-30-1500)
- SHORELINE INLET (60-25-1000)
- JUMPER STUDS (60-25-0200)



NO MAXIMUM OVERALL LENGTH SPECIFIED (33-49-1000)  
 NO MAXIMUM OVERALL HEIGHT SPECIFIED (33-49-2000)

250 GPM PUMP  
 2200 GALLON POLY WATER TANK  
 MBW JOB NUMBER

CHASSIS SPECS		<b>MARION</b>		MARION BODY WORKS, INC. P.O. BOX 500	
FREIGHTLINER		FOR		MARION WISCONSIN 54950-0500 715.758-9281 FAX 715.754-9774	
MODEL M2 SBA 4x2		TITLE TANKER, PORTABLE 250/2200		DENMARK, WI	
BY JK		DATE 9/7/17		SCALE 1/20	
178" 112.50"		DRG. NO. 20170053		SHEET 1 OF 1	

MARION RESERVES THE RIGHT TO MAKE MINOR DIMENSIONAL CHANGES, AND DESIGN AND COMPONENT CHANGES FOR PRODUCT IMPROVEMENT