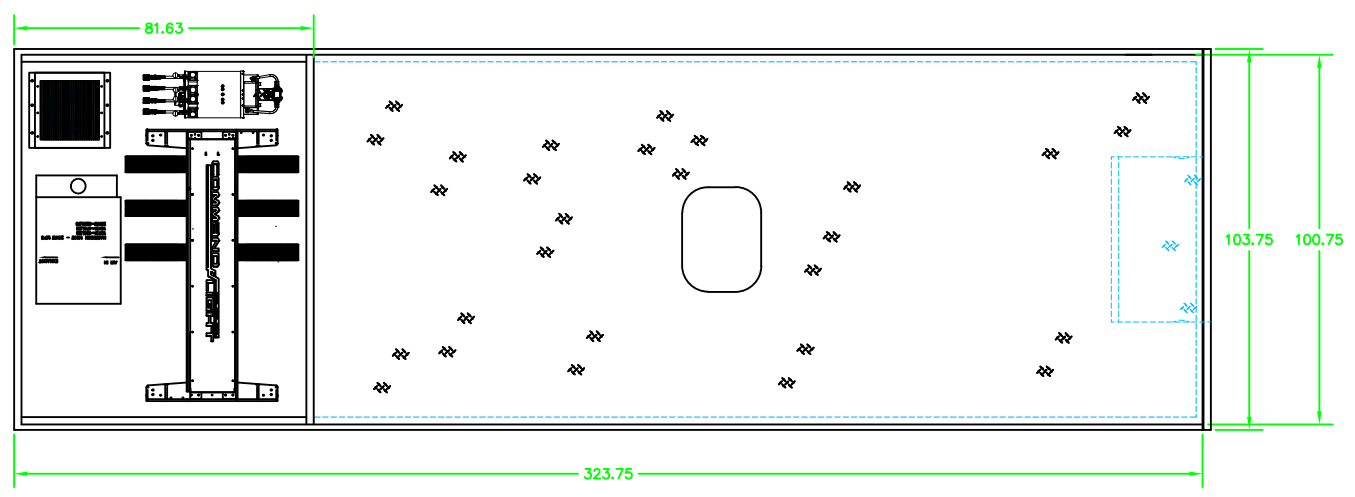
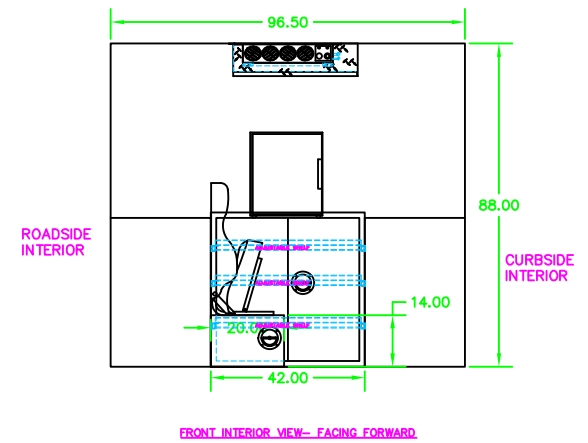
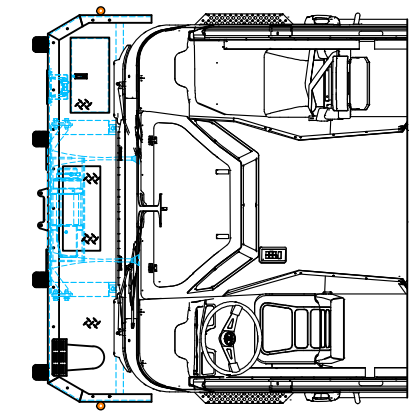
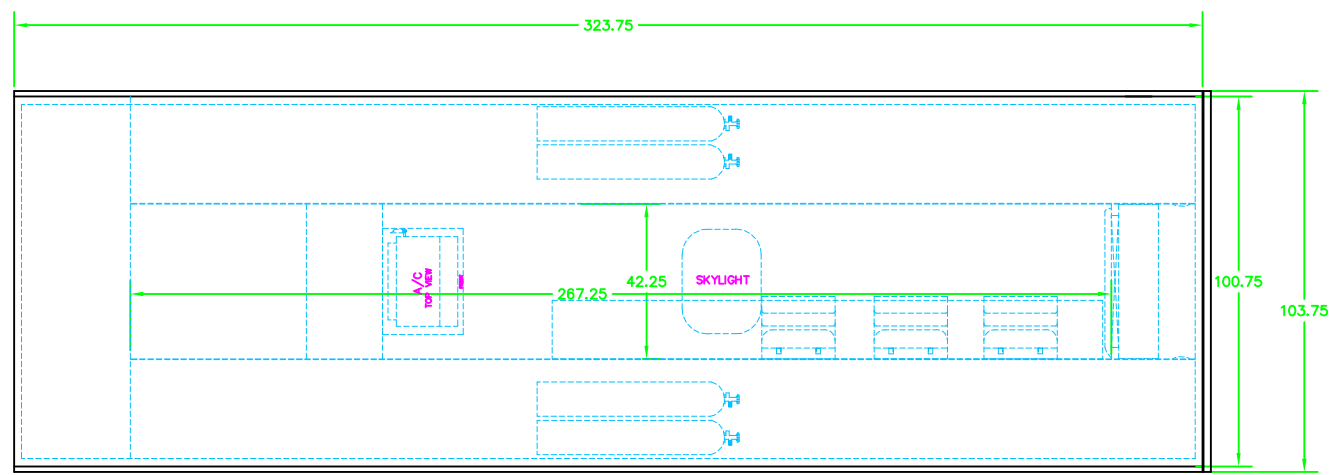
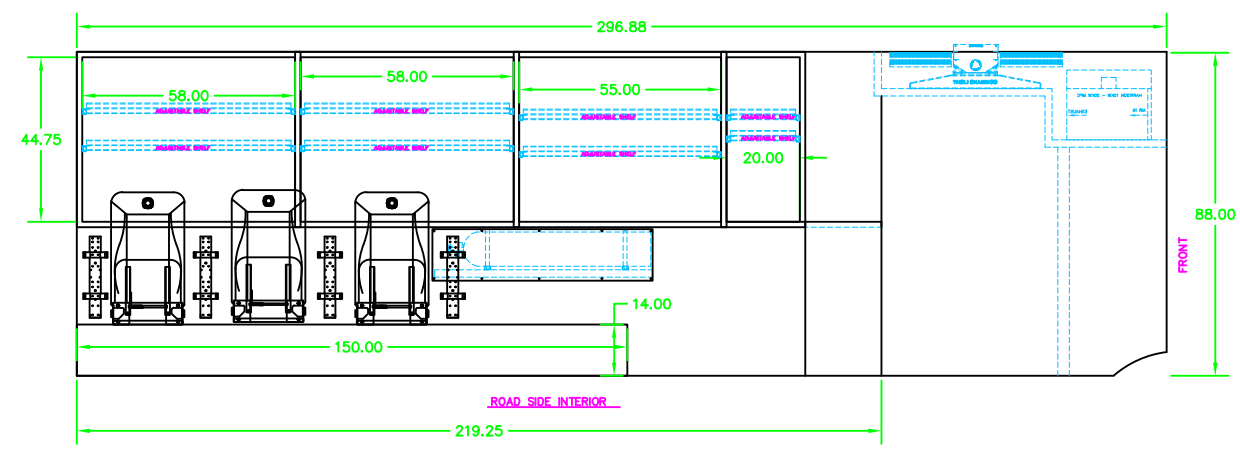
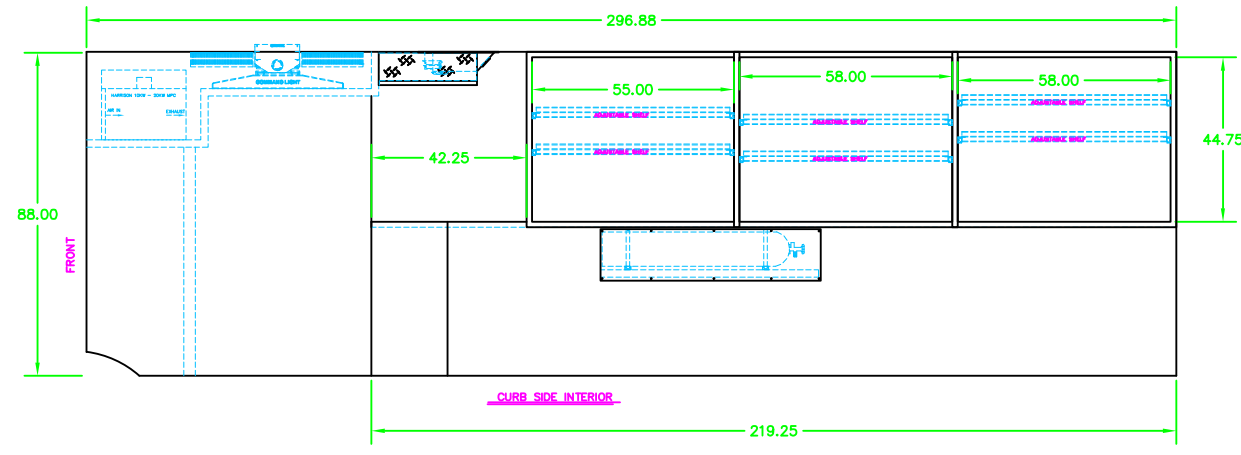


BID, MBW JOB NUMBER

CHASSIS SPECS		<b>MARION</b>		MARION BODY WORKS, INC. P.O. BOX 5000 MARION WISCONSIN 54950-0500 715/254-9201 FAX 715/254-9776	
CHASSIS	SPARTAN	TITLE	26' RESCUE SQUAD		
MODEL	GLAD ER	FOR	GUILFORD, CT		
DATE	12/01/17	SCALE	1/20		
DRG. NO.	20170081	SHEET	1 OF 2		



— MBW JOB NUMBER

CHASSIS SPECS		<b>MARION</b>		MARION BODY WORKS, INC. P.O. BOX 500	
SPARTAN		TITLE		MARION WISCONSIN 54950-0500	
MODEL		FOR		715/754-9261 FAX 715/754-9774	
BY		DATE		SCALE	
201*		12/01/17		1/20	
DRG. NO.		20170081		SHEET 2 OF 2	

MARION RESERVES THE RIGHT TO MAKE MINOR DIMENSIONAL CHANGES, AND DESIGN AND COMPONENT CHANGES FOR PRODUCT IMPROVEMENT