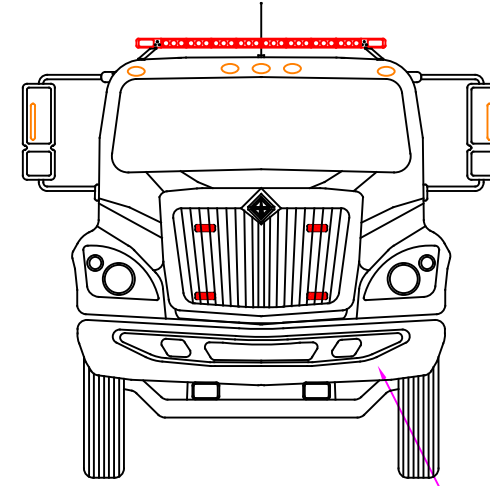


CURBSIDE VIEW

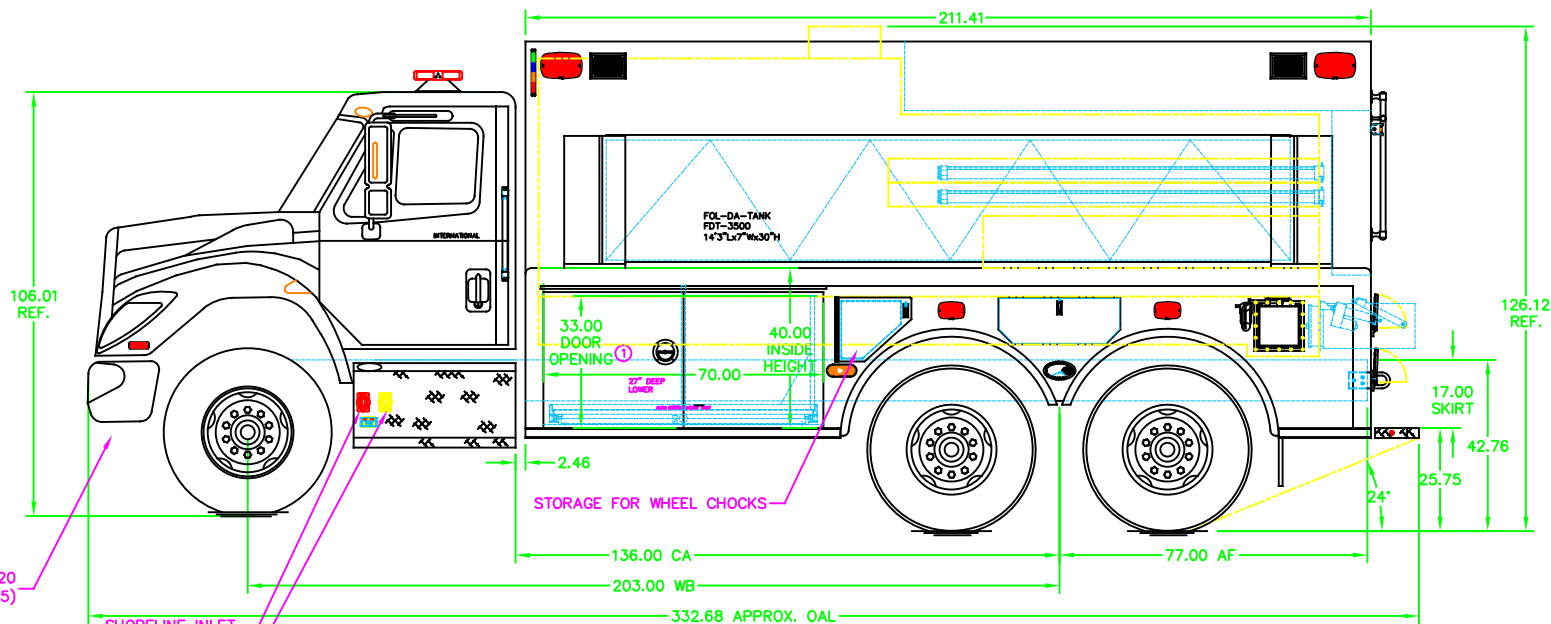


FRONT VIEW

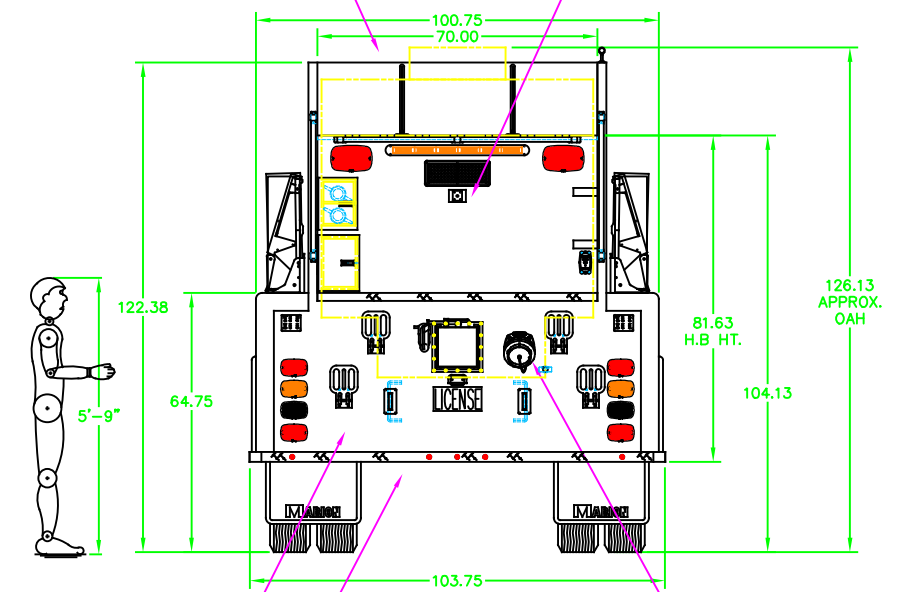
CAST PRODUCTS SPEAKER (70-50-5450)

CAMERA (55-80-0501)

HOSEBED COVER VINYL TARP (24-30-4025)



DRIVERSIDE VIEW



REAR VIEW

SPANNER SET

LUMA BAR H20 (65-40-1615)

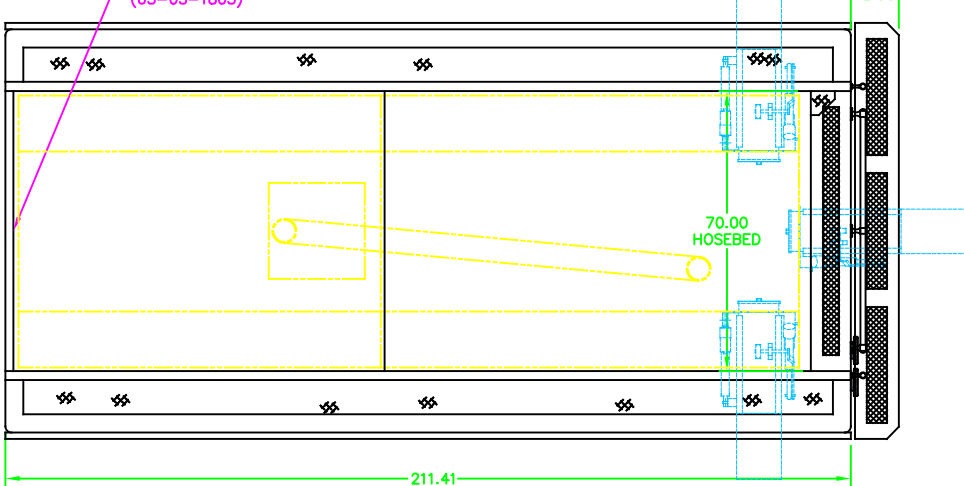
4" FIREMAN'S FRIEND (17-40-8200)

LUMA BAR H20 (65-40-1615)

SHORELINE INLET (60-25-1000)

AIR INLET (05-30-2000)

HOSEBED LIGHTS (65-05-1805)



TOP VIEW

MAXIMUM OVERALL LENGTH SPECIFIED 28' OR 336" (33-49-1000)  
NO MAXIMUM OVERALL HEIGHT SPECIFIED (33-49-2000)

PORTABLE WATEROUS PB18-3030E  
3000 GALLON WATER TANK  
87034 MBW JOB NUMBER

CHASSIS SPECS		<b>MARION</b>		MARION BODY WORKS, INC. P.O. BOX 500 MARION WISCONSIN 54950-0500 715/754-5261 FAX 715/754-5776	
B	3/1/2020	BJS	UPDATED POST PRE-BUILD	TITLE	TANKER, 3000 GALLON
A	12/10/19	CZ	UPDATED POST SUBMITTAL	FOR	CLINTONVILLE, WI
LTR	DATE	BY	DESCRIPTION	DRAWN BY	SCALE
				CZ	1/20
MARION RESERVES THE RIGHT TO MAKE MINOR DIMENSIONAL CHANGES, AND DESIGN AND COMPONENT CHANGES FOR PRODUCT IMPROVEMENT				DATE	12/10/19
				DRG. NO.	98051330
				SCALE	1 OF 1