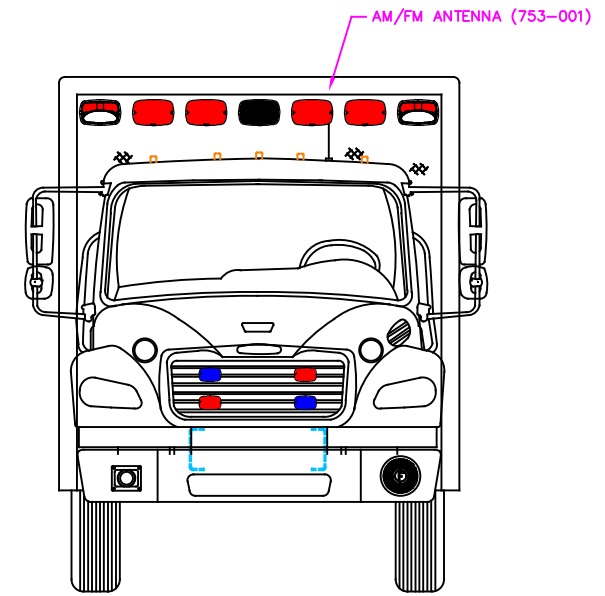
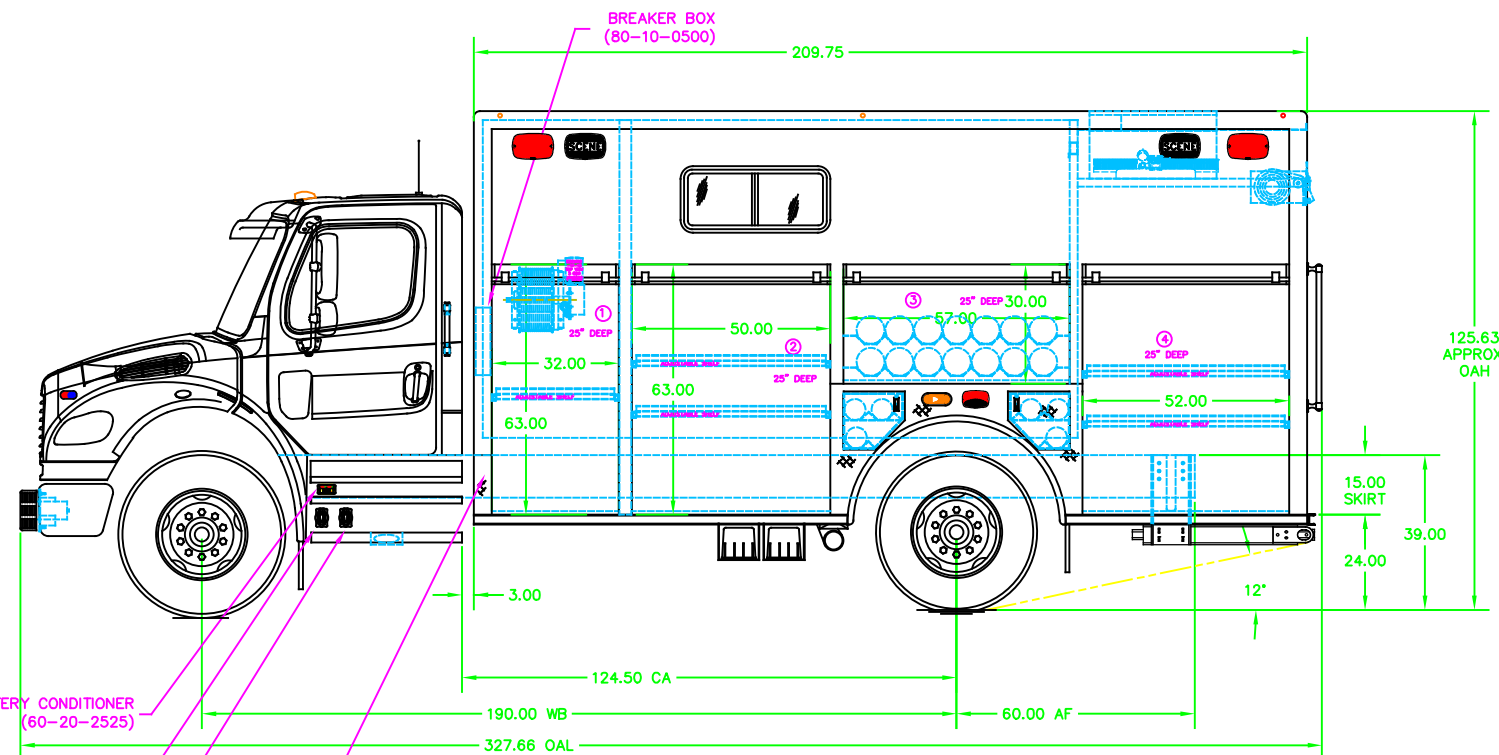


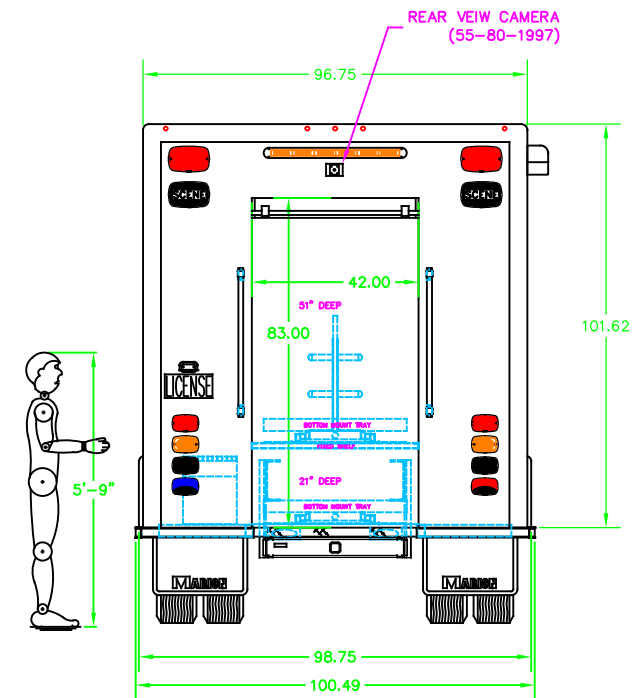
CURBSIDE VIEW



FRONT VIEW



DRIVERSIDE VIEW



REAR VIEW

PRINT APPROVAL
 I HAVE EXAMINED THIS DOCUMENT AND APPROVE IT WITH NOTED REVISIONS, IF ANY, IN RED.
 SIGNATURE _____
 DATE _____

82378 MBW JOB NUMBER

NO MAXIMUM OVERALL LENGTH SPECIFIED (33-49-1000)
 NO MAXIMUM OVERALL HEIGHT SPECIFIED (33-49-2000)

C	2/27/2020	BJS	PREBUILD UPDATE	CHASSIS SPECS	MARRION BODY WORKS, INC. P.O. BOX 500
B	1/29/2020	BJS	UPDATES PER SALES MARK UPS	FREIGHTLINER	MARRION WISCONSIN 54950-0500 715/754-5261 FAX 715/754-5776
A	1/13/2020	CZ	UPDATES PER SUBMITTAL NOTES	TITLE	17' UTILITY TRUCK
LT	DATE	BY	DESCRIPTION	FOR	LAKEVILLE, CT
				MODEL	M2 106
				DRAWN BY	CZ
				APPROVED BY	DATE 1/13/2020
				SCALE	1/20
				DRG. NO.	98051490
				SHEET	1 OF 2