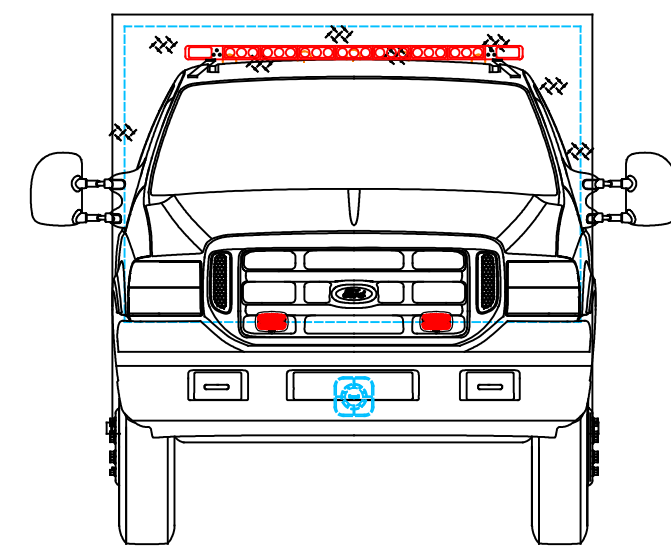
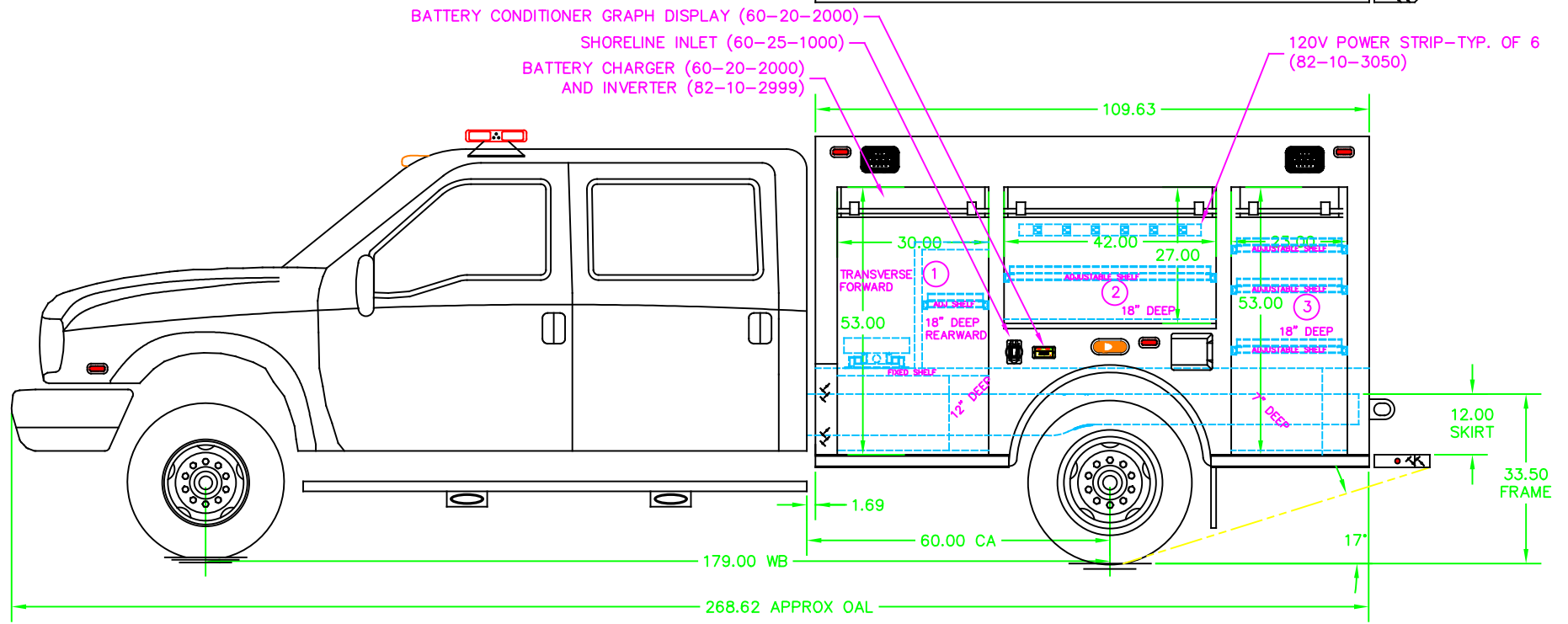
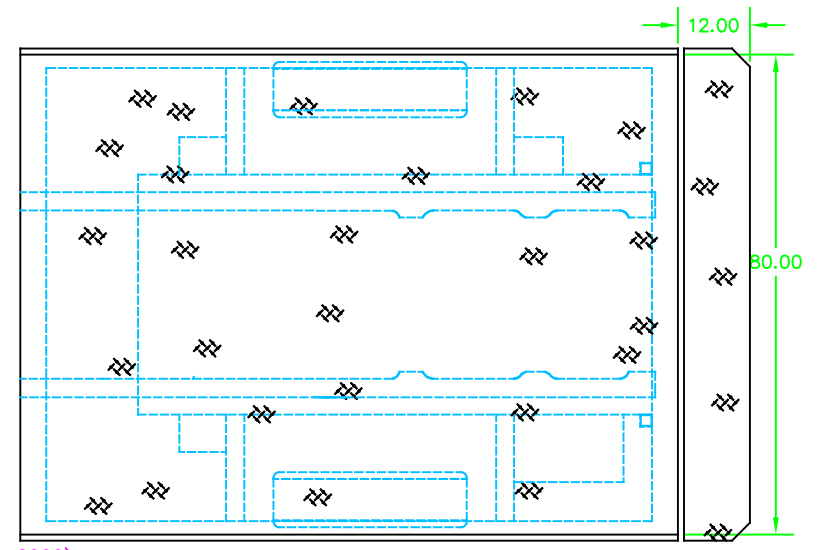


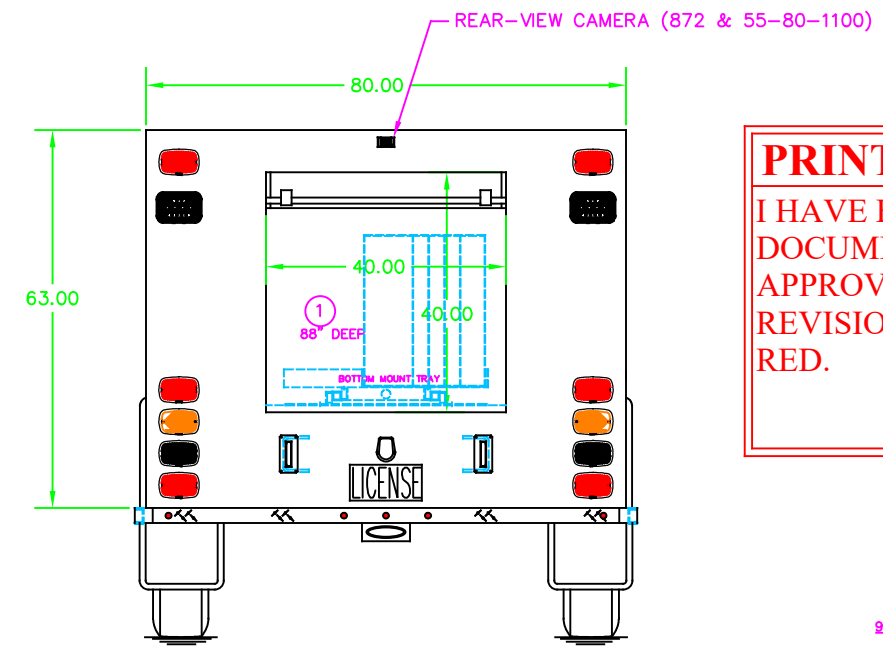
CURBSIDE VIEW



FRONT VIEW



DRIVERSIDE VIEW



REAR VIEW

PRINT APPROVAL
 I HAVE EXAMINED THIS DOCUMENT AND APPROVE IT WITH NOTED REVISIONS, IF ANY, IN RED.
 SIGNATURE _____
 DATE _____

94074 MBW JOB NUMBER

NO MAXIMUM OVERALL LENGTH SPECIFIED (33-49-1000)
 NO MAXIMUM OVERALL HEIGHT SPECIFIED (33-49-2000)

CHASSIS SPECS		MARION BODY WORKS, INC. P.O. BOX 500 MARION WISCONSIN 54950-0500 715/784-5281 FAX 715/784-5778	
CHASSIS	FORD	TITLE	10' RESCUE VEHICLE
MODEL	F-350	FOR	OAKFIELD, WI
LTR	DATE	BY	DESCRIPTION
179"	60"	GRS	APPROV
DATE		DATE	SCALE
3/23/22		3/23/22	1/16
DRG. NO. 98300612		SHEET 1 OF 1	