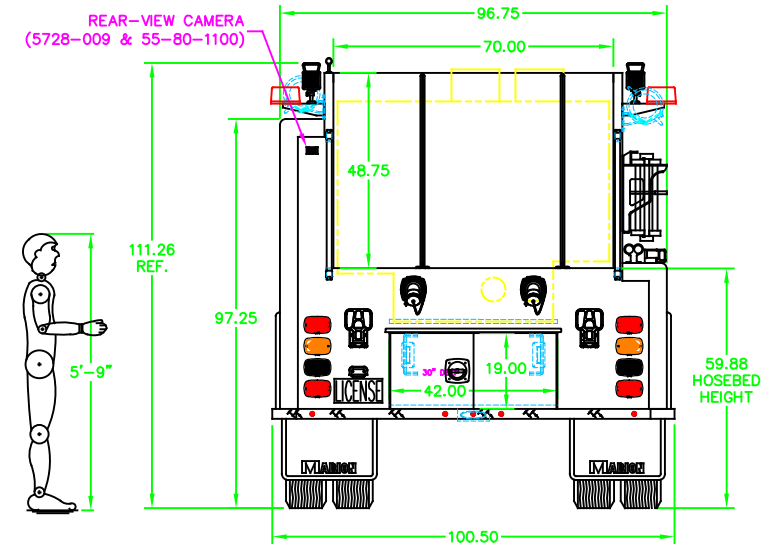
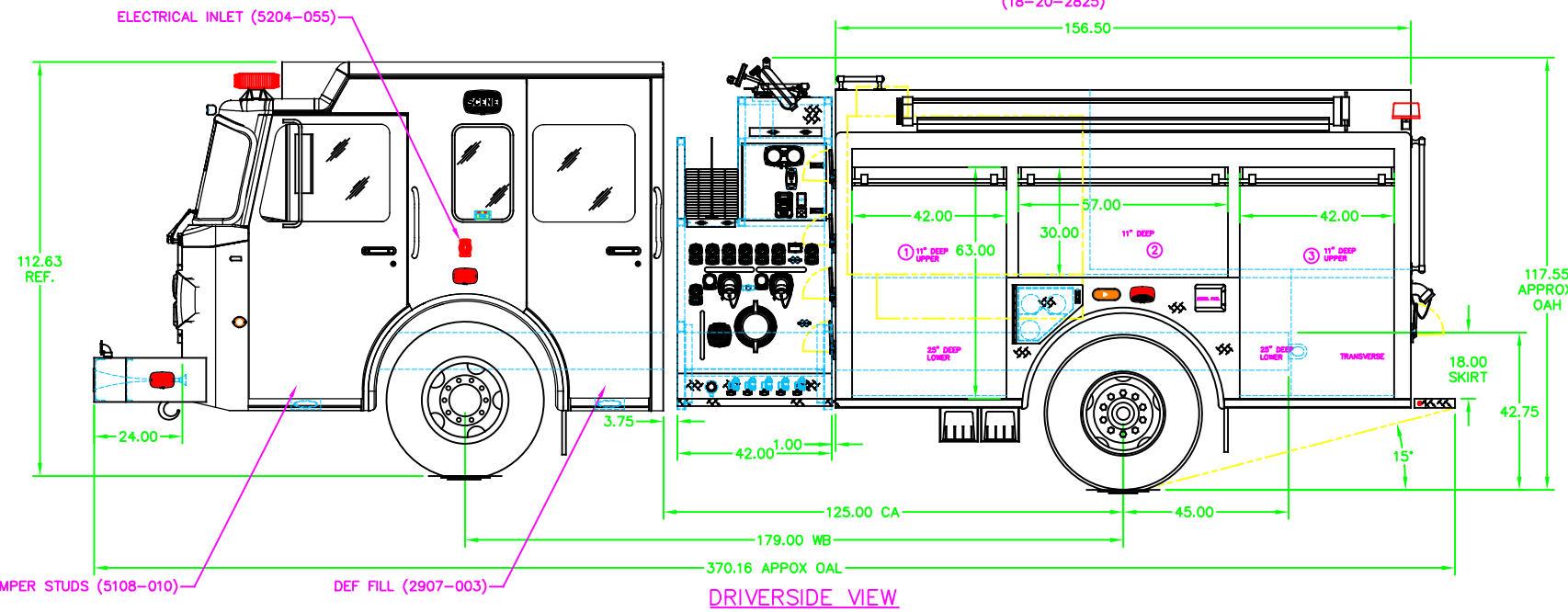
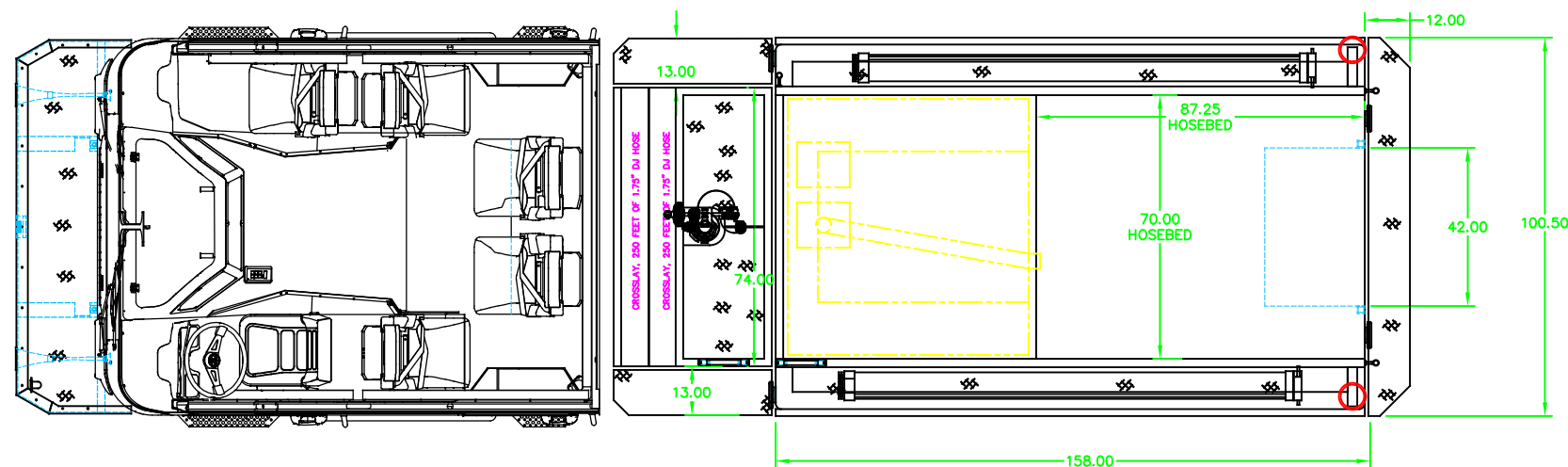


FRONT VIEW



REAR VIEW



TOP VIEW

NO MAXIMUM OVERALL LENGTH SPECIFIED (33-49-1000)
NO MAXIMUM OVERALL HEIGHT SPECIFIED (33-49-2000)

1500 GPM WATEROUS CSU PUMP
750 GALLON WATER TANK
20 GALLON FOAM TANK
94821 MBW JOB NUMBER

C	9/29/22	GRS	REVISED PER THE PRE-BUILD MEETING	CHASSIS SPECS	MARION BODY WORKS, INC. P.O. BOX 500 MARION WISCONSIN 54950-0500 715/754-5261 FAX 715/754-5776
B	9/23/22	GRS	REVISED IN PREPARATION FOR THE PRE-BUILD MEETING	SPARTAN	TITLE PUMPER, MID, WATEROUS, 1500/750
A	8/26/22	GRS	REVISED IN PREPARATION FOR SUBMITTAL MEETING	FOR	DEMO PUMPER 2023
LTR	DATE	BY	DESCRIPTION	METRO STAR	SCALE 1/20
MARION RESERVES THE RIGHT TO MAKE MINOR DIMENSIONAL CHANGES, AND DESIGN AND COMPONENT CHANGES FOR PRODUCT IMPROVEMENT				179"	125"
				DRG. NO. 98300684	SHEET 1 OF 2