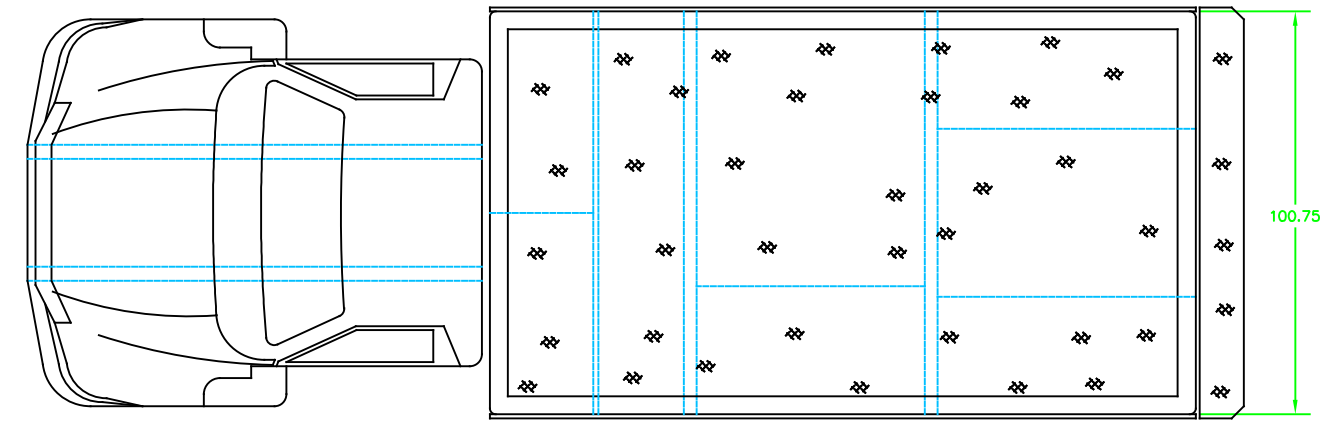
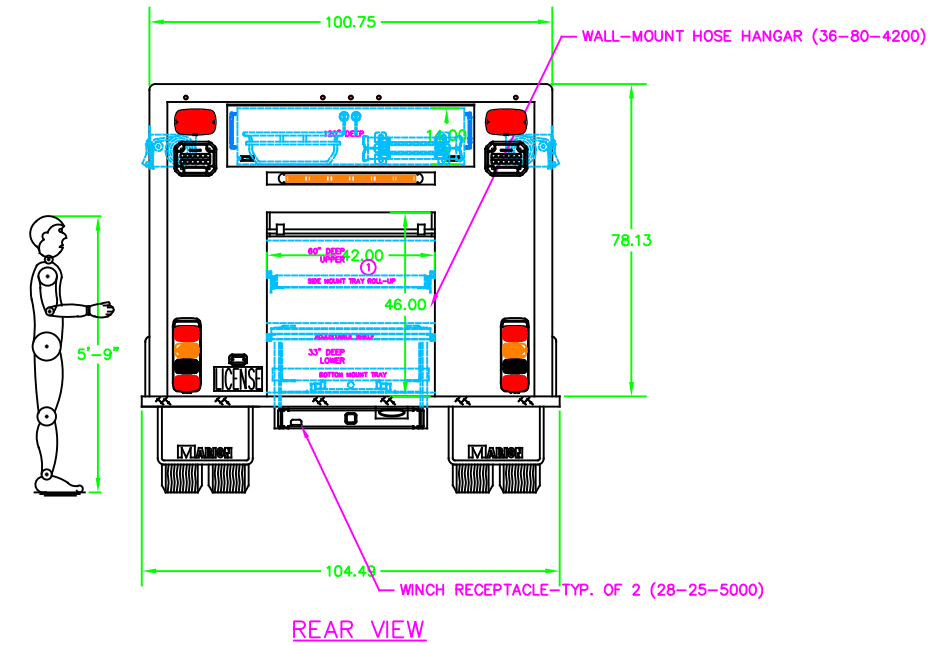
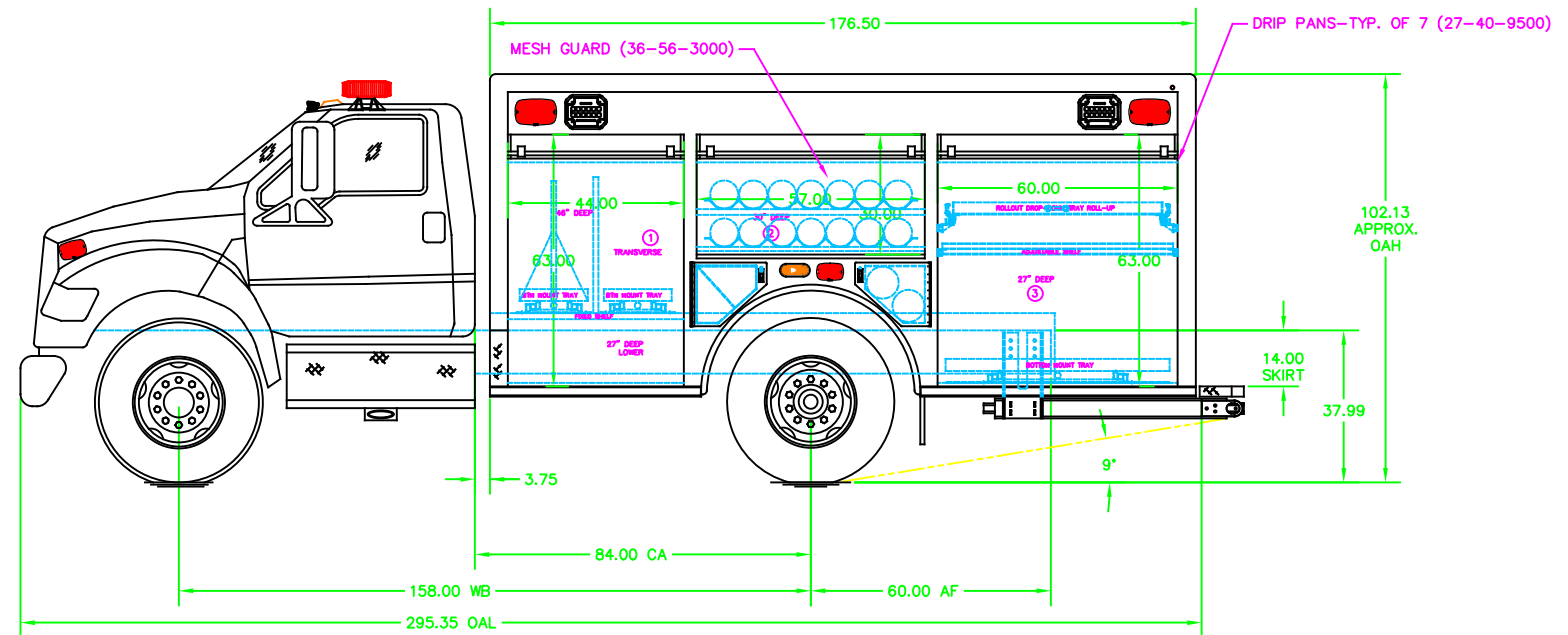
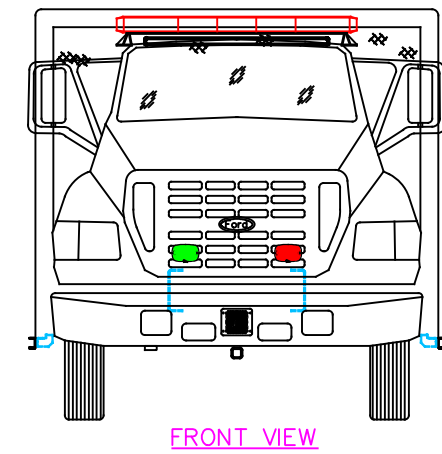
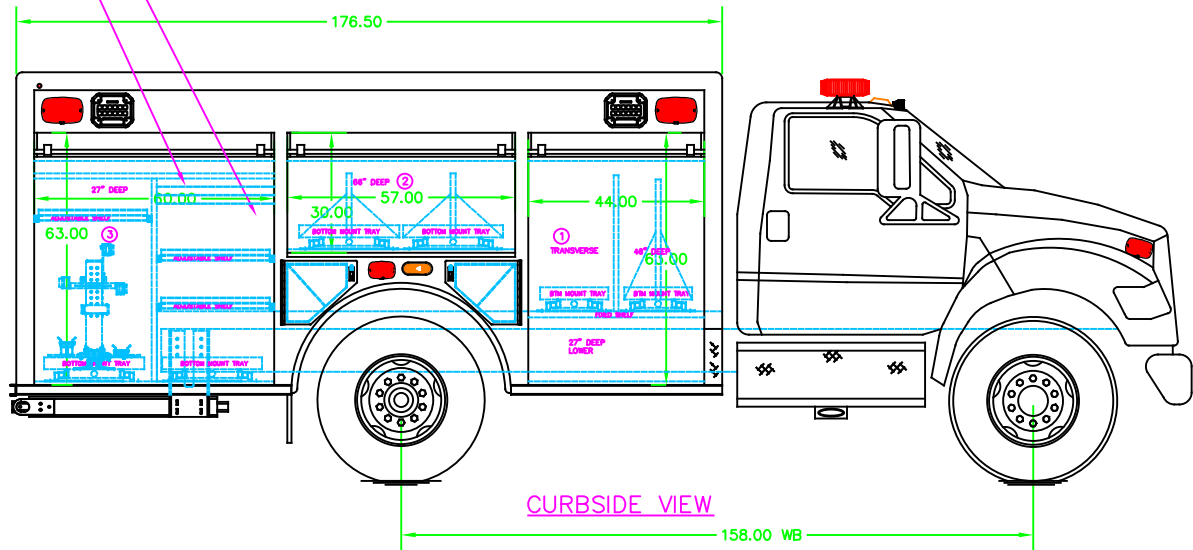


MESH GUARD (36-56-3000)
AIR BAG STORAGE (36-40-3000)



NO MAXIMUM OVERALL LENGTH SPECIFIED (33-49-1000)
NO MAXIMUM OVERALL HEIGHT SPECIFIED (33-49-2000)

BID. MBW JOB NUMBER

CHASSIS SPECS		MARION		MARION BODY WORKS, INC. P.O. BOX 500 MARION WISCONSIN 54950-0500 715/754-5261 FAX 715/754-5776	
CHASSIS	FORD	TITLE	15' RESCUE VEHICLE		
MODEL	F750	FOR	MELROSE PARK, IL		
DATE	5/19/23	SCALE	1/20		
BY	GRS	APPROV	BY	DATE	5/19/23
DRG. NO.	20230031	158" x 84"		SHEET 1 OF 1	

MARION RESERVES THE RIGHT TO MAKE MINOR DIMENSIONAL CHANGES, AND DESIGN AND COMPONENT CHANGES FOR PRODUCT IMPROVEMENT