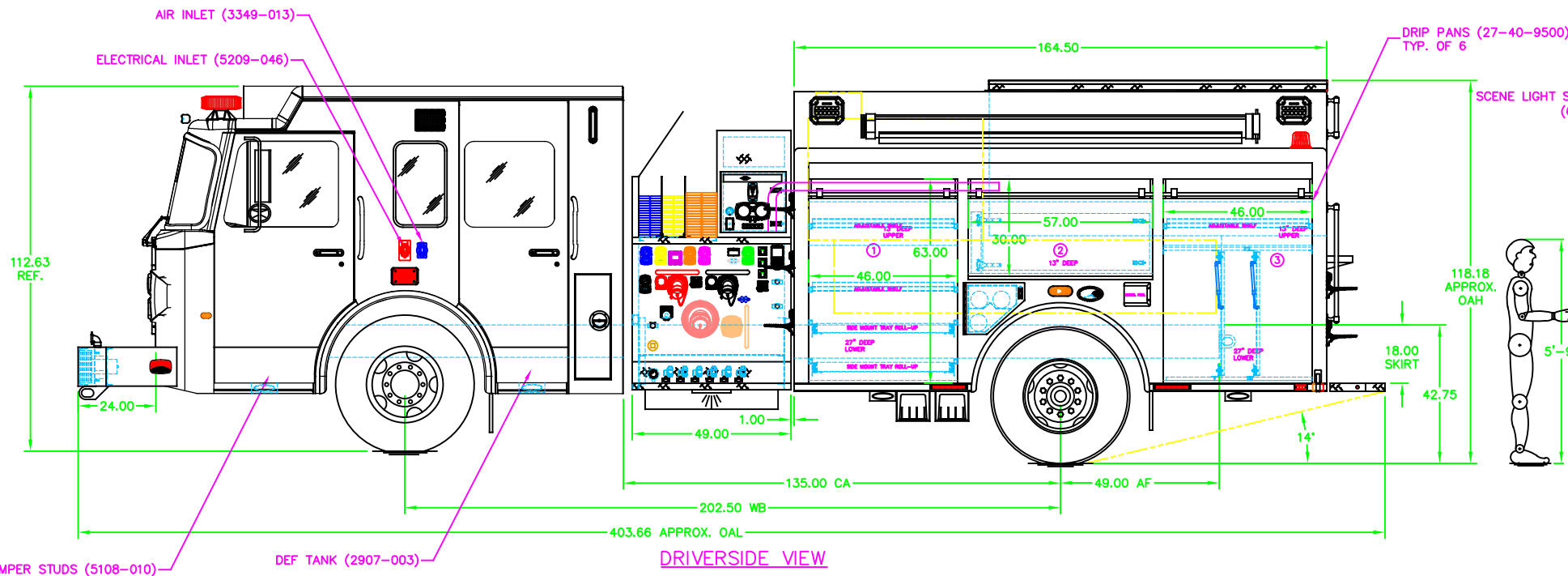
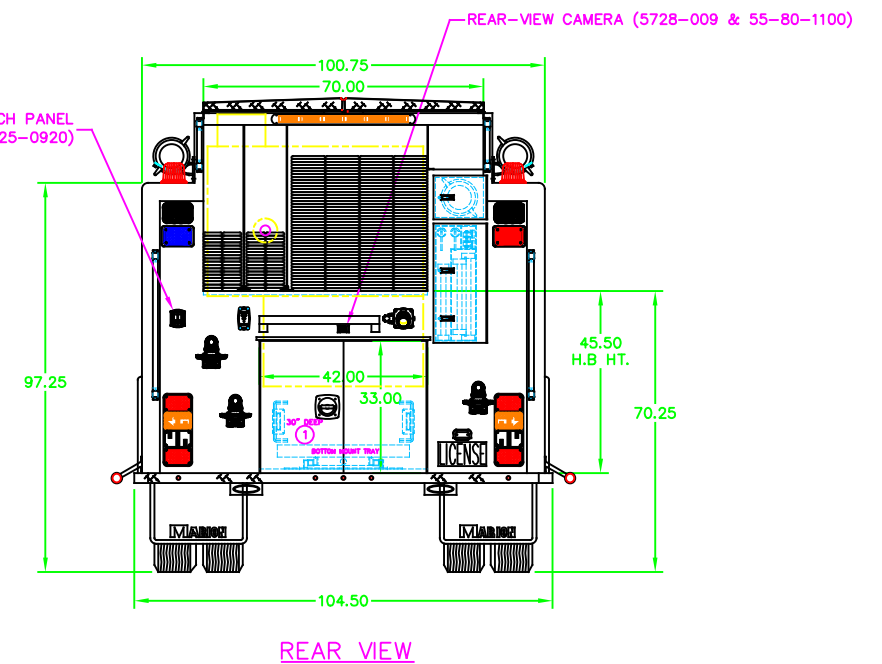


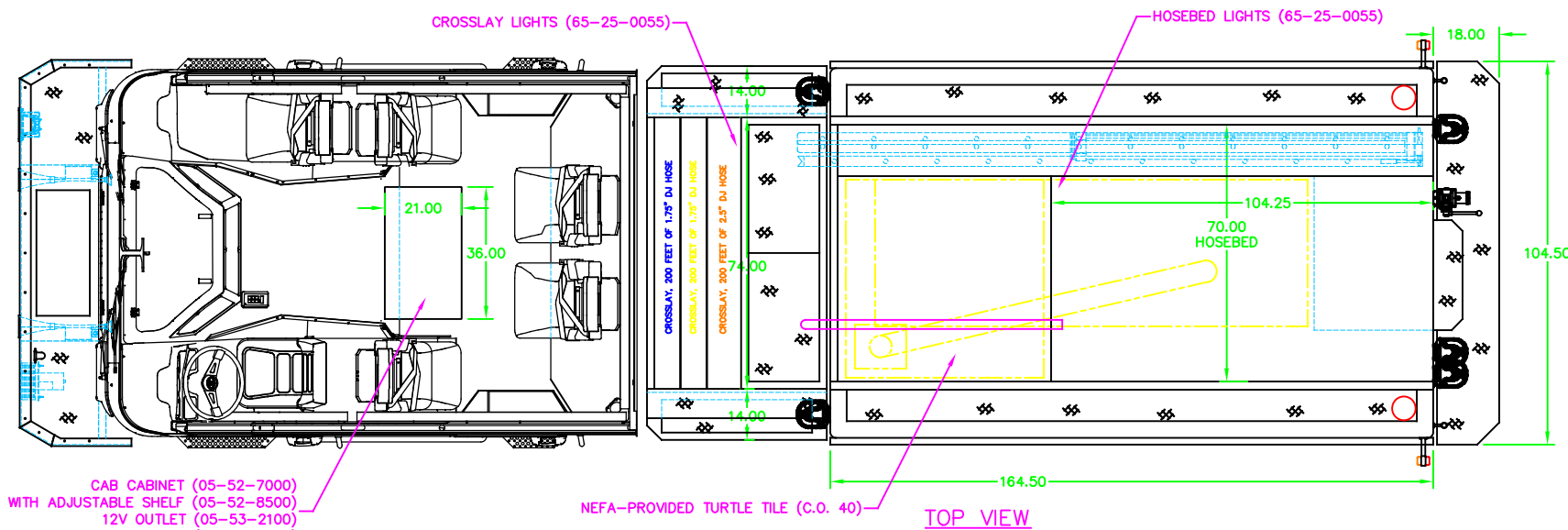
FRONT VIEW



DRIVERSIDE VIEW



REAR VIEW



TOP VIEW

CAB CABINET (05-52-7000)  
WITH ADJUSTABLE SHELF (05-52-8500)  
12V OUTLET (05-53-2100)  
AND 120V OUTLET (05-54-1635)

NEFA-PROVIDED TURTLE TILE (C.O. 40)

MAXIMUM OVERALL LENGTH 11' OR 132" (33-49-1000)  
MAXIMUM OVERALL HEIGHT 34' OR 408" (33-49-2000)

**PRINT APPROVAL**  
I HAVE EXAMINED THIS DOCUMENT AND APPROVE IT WITH NOTED REVISIONS, IF ANY, IN RED.

SIGNATURE \_\_\_\_\_  
DATE \_\_\_\_\_

1500 GPM HALE QMAX PUMP  
780 GALLON WATER TANK  
97129 MBW JOB NUMBER

LTR	DATE	BY	DESCRIPTION
F	5/20/25	GRS	ADDED 2ND TRAY TO R1
E	8/20/24	GRS	REVISED ROADSIDE PUMP PANELS PER MARKED-UP DRAWING
D	7/17/24	GRS	REVISED PER PRE-BUILD MEETING
C	8/21/24	GRS	REVISED PER CHANGE ORDERS 28-81 AND NOTES IN DOMO
B	1/25/24	GRS	REVISED PER CHANGE ORDERS 1-27 AND NOTES IN DOMO
A	1/10/24	GRS	REVISED PER DEALER MARKED-UP DRAWING

CHASSIS SPECS	TITLE	DATE	SCALE
SPARTAN	PUMPER, MID, HALE, 1500/780	7/12/23	1/20
GLADIATOR	PORTLAND, CT		
202.5	135"	DRG. NO. 98301079	SHEET 1 OF 1

MARION RESERVES THE RIGHT TO MAKE MINOR DIMENSIONAL CHANGES, AND DESIGN AND COMPONENT CHANGES FOR PRODUCT IMPROVEMENT

**MARION** MARION BODY WORKS, INC.  
P.O. BOX 500  
MARION WISCONSIN 54950-0500  
715/754-5261 FAX 715/754-5776