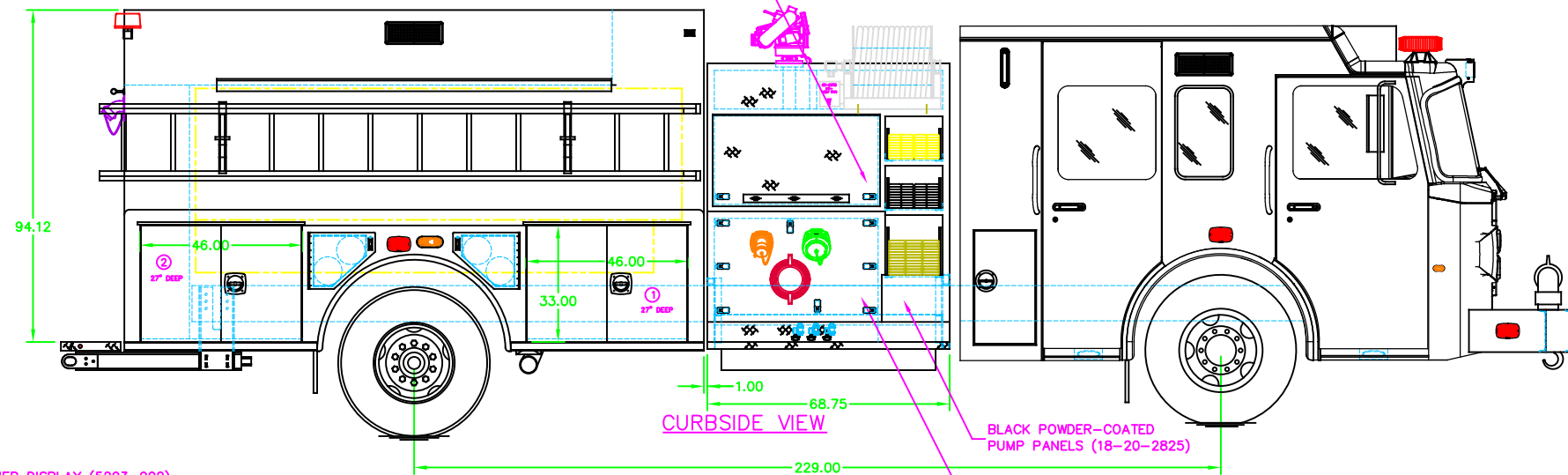
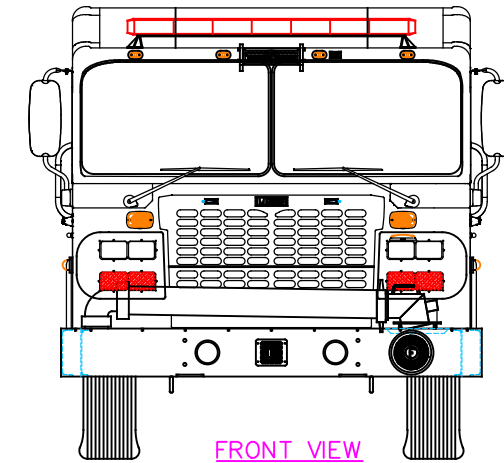


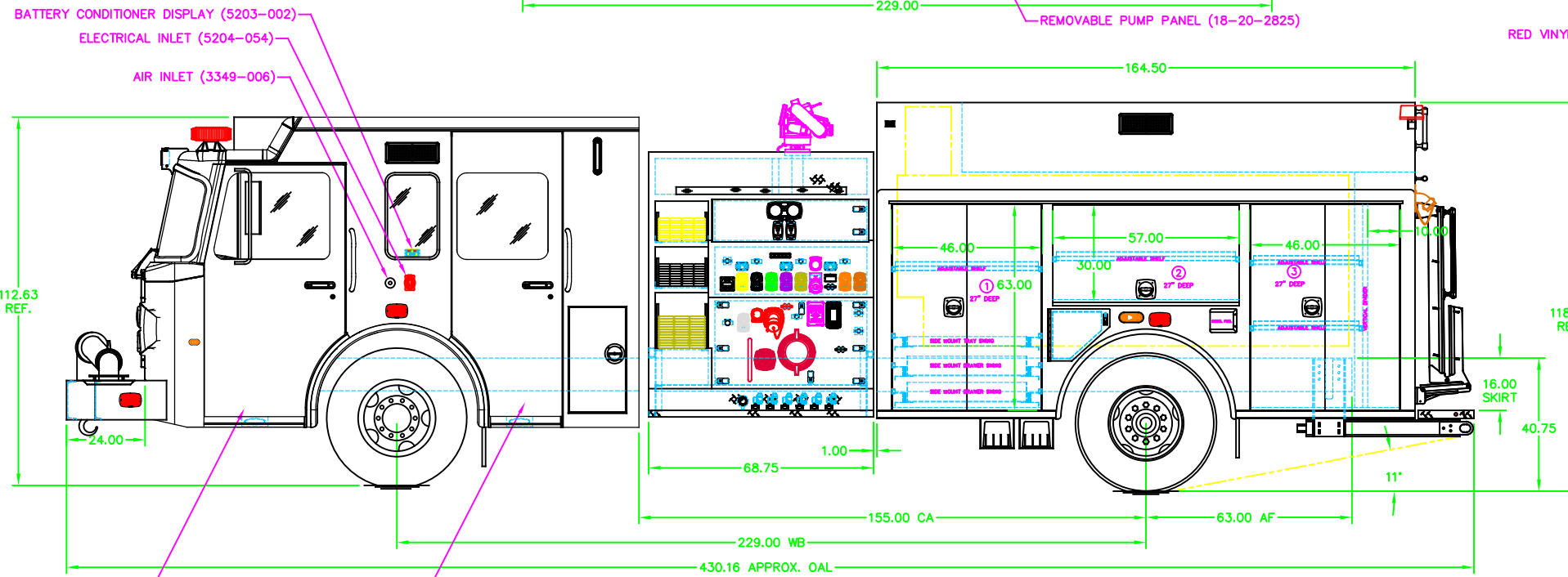
CAB TILT BEHIND THE CURBSIDE PUMP PANEL (2305-003 & 05-34-7250)



CURBSIDE VIEW



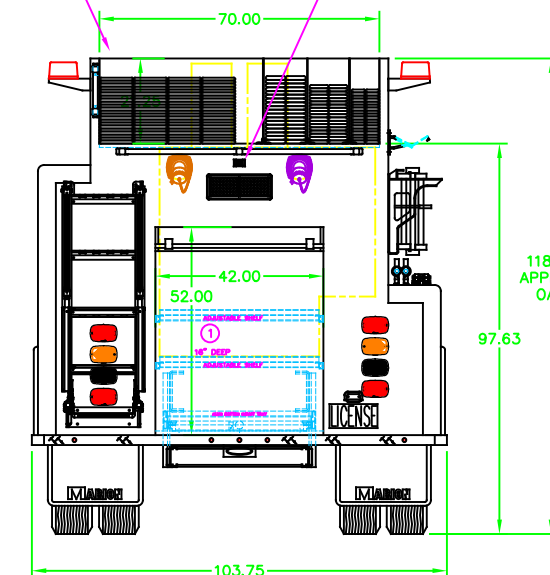
FRONT VIEW



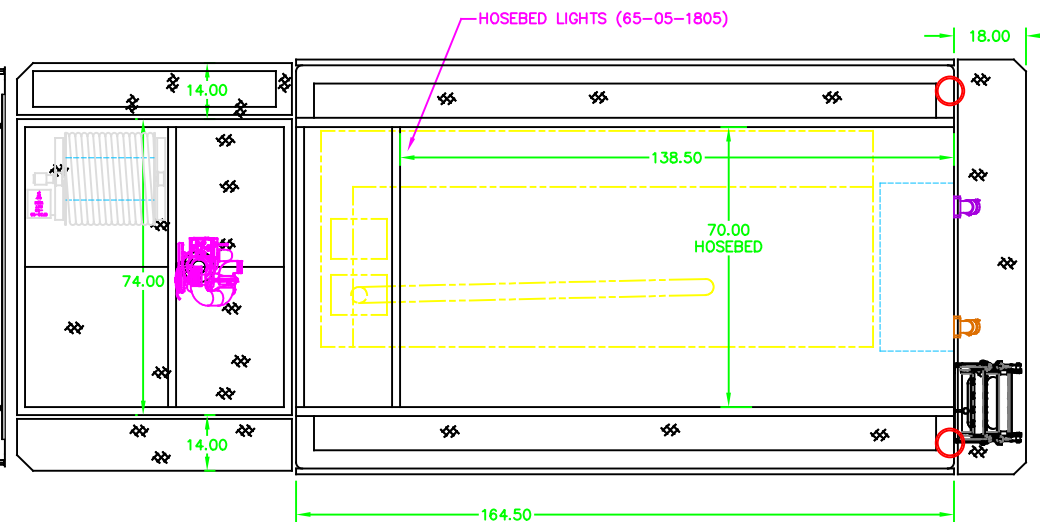
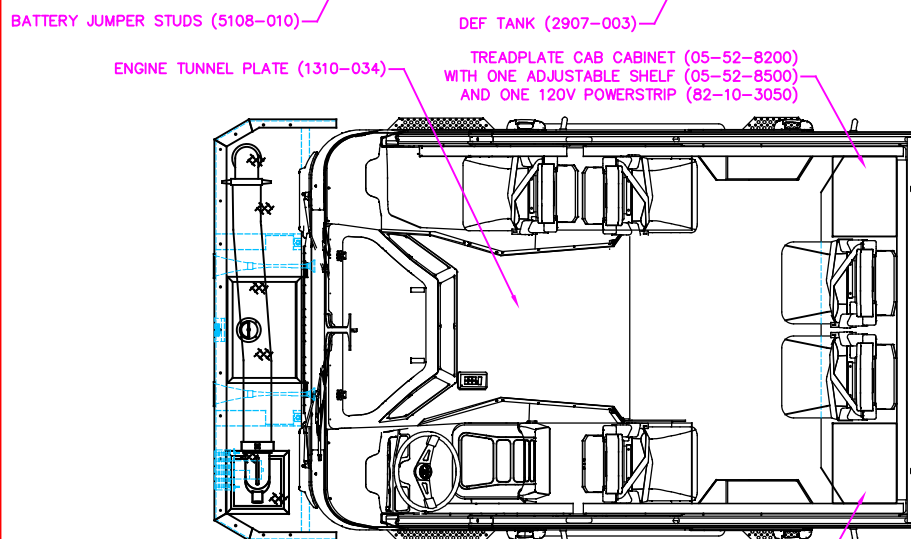
DRIVERSIDE VIEW

RED VINYL TARP HOSEBED COVER (24-30-4025)

360° CAMERA (5706-303 & 55-80-1103)



REAR VIEW



TOP VIEW

NO MAXIMUM OVERALL LENGTH SPECIFIED (33-49-1000)
NO MAXIMUM OVERALL HEIGHT SPECIFIED (33-49-2000)

PRINT APPROVAL
I HAVE EXAMINED THIS DOCUMENT AND APPROVE IT WITH NOTED REVISIONS, IF ANY, IN RED.
SIGNATURE _____
DATE _____

1500 GPM WATEROUS CSU PUMP
2001 FOAMPRO FOAM SYSTEM
1250 GALLON WATER TANK
20 GALLON CLASS A FOAM TANK
97227 MBW JOB NUMBER

E	7/7/25	GRS	REVISED PUMP PANEL LATCHES PER C.O. 41)				
D	9/28/24	GRS	REVISED PER QW 97227-005 AND PRE-BUILD NOTES				
C	7/31/24	GRS	REVISED PER QW 97227-004 AND CO 1-76				
B	1/23/24	GRS	CORRECTED REAR DROP FRAME AND TOW EYES				
A	11/29/23	GRS	REVISED BODY STYLE				
LTR	DATE	BY	DESCRIPTION	CHASSIS	SPARTAN	TITLE PUMPER, MID, WATEROUS, 1500/1250/20	MARION BODY WORKS, INC. P.O. BOX 500 MARION WISCONSIN 54950-0500 715/754-5261 FAX 715/754-5776
				CHASSIS	MODEL	FOR GRAND RIVER MARKESAN, WI	
				229"	155"	SCALE 1/20	
				DRG. NO. 98301127			SHEET 1 OF 1